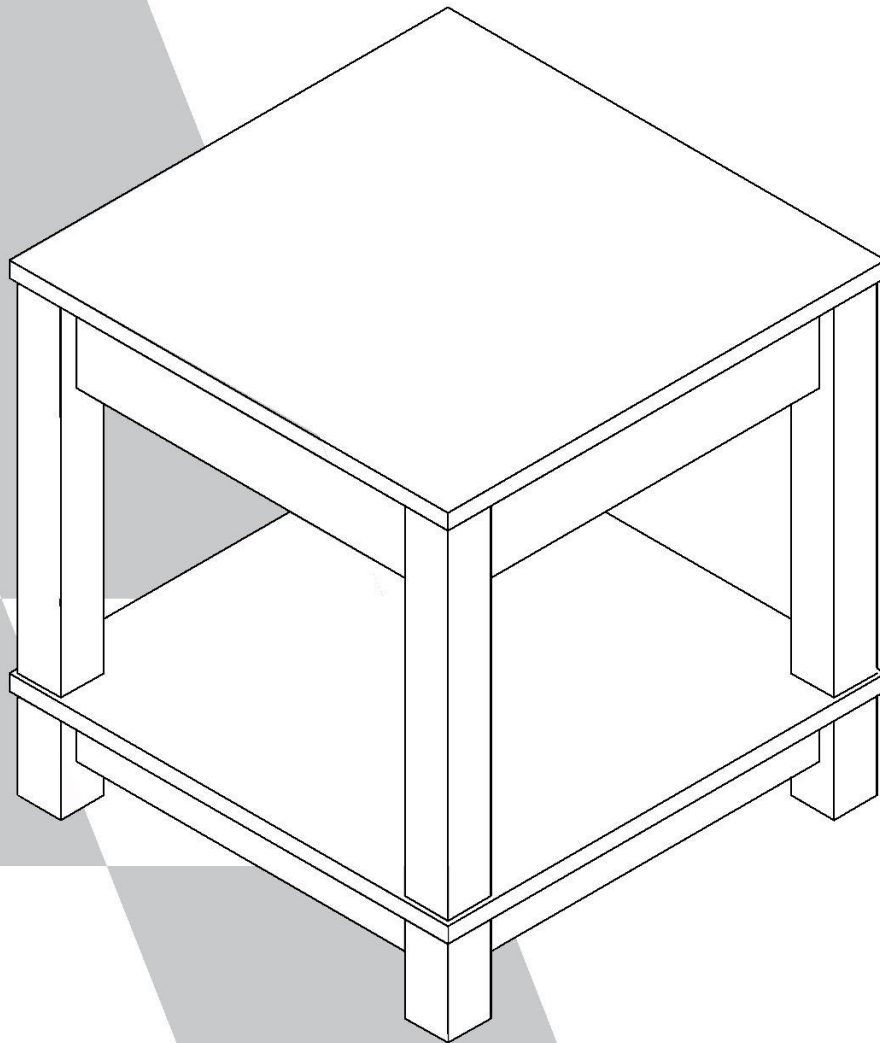


5046096COM Carver End Table

Ameriwood
HOME™

Date of Purchase: ___/___/___
Lot Number: _____

B345046096COM00YX



THIS INSTRUCTION BOOKLET CONTAINS **IMPORTANT** SAFETY INFORMATION. PLEASE READ AND KEEP FOR FUTURE REFERENCE.

Do Not Return This Product!

Contact our customer service team for help first

Call: 1-800-489-3351 (toll free)

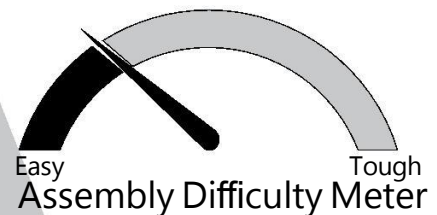
Monday-Friday 9am - 5pm CST

Visit: www.ameriwoodhome.com



WARNING

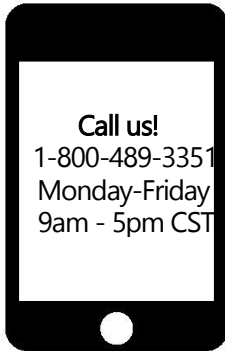
- Unit can tip over causing severe injury or death.
- Anchor unit to stud in wall (if instructed to)
- Do not allow children climb on unit
- Put heavy items on lower shelves or drawers



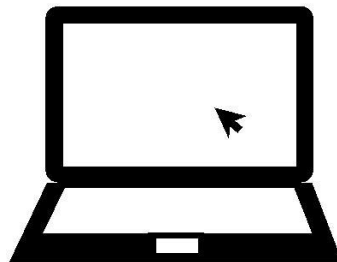
Follow Ameriwood Home



Contact Us!



Do NOT return this product!
Contact our friendly customer service team first for help



Visit ameriwoodhome.com

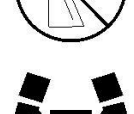
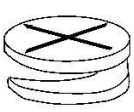
Assembly Tips



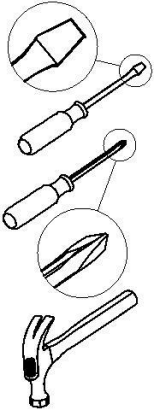
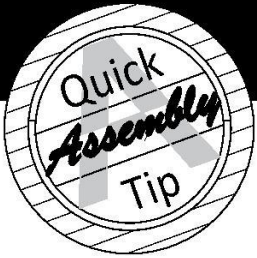
Helpful Hints

PEOPLE NEEDED FOR ASSEMBLY: 1-2
ESTIMATED ASSEMBLY TIME: 1 HOUR

- Open your item in the area you plan to keep it for less heavy lifting
- Identify, sort and count the parts before attempting assembly
- Compression dowels are tapped in with a hammer
- Slides are labeled with a R (right) and L (left) for proper placement
- Make sure to always face the point on the top of the Cam Lock towards the outer edge
- Use all the nails provided for the back panel and spread them out equally
- Back Panel must be used to make sure your unit is sturdy
- Do NOT use harsh chemicals or abrasive cleaners on this item
- Never push, pull, or drag your furniture



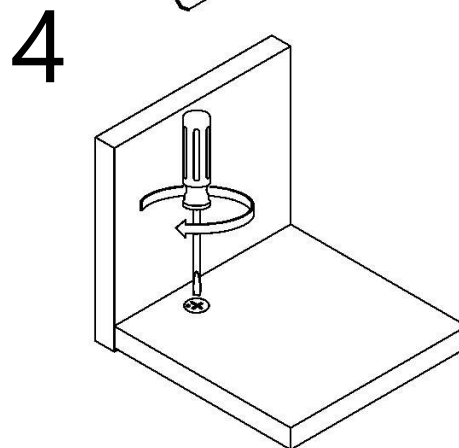
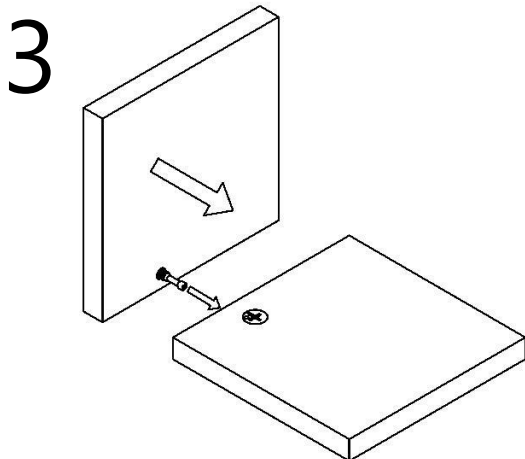
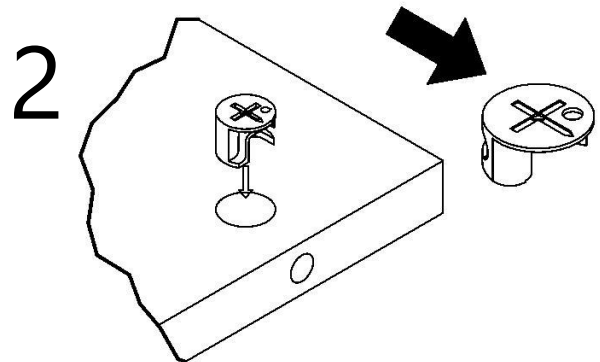
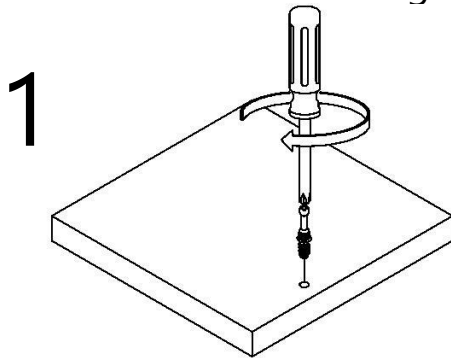
Before You Start



- ✓ Read through each step carefully and follow the proper order
- ✓ Separate and count all your parts and hardware
- ✓ Give yourself enough room for the assembly process
- ✓ Have the following tools: Flat Head Screwdriver, #2 Phillips Head Screwdriver and Hammer
- ✓ Caution: If using a power drill or power screwdriver for screwing, please be aware to slow down and stop when screw is tight. Failure to do so may result in stripping the screw.

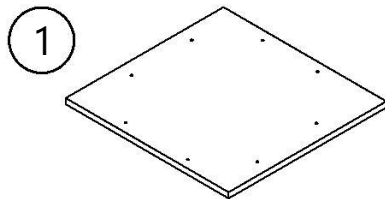
Cam Lock Fastening System

This Cam Lock Fastening System will be used throughout the assembly process.

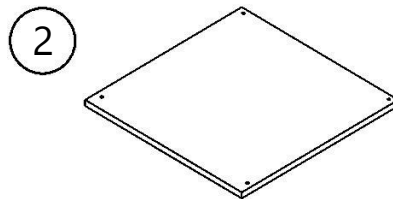


Board Identification

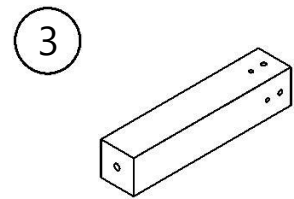
Not actual size



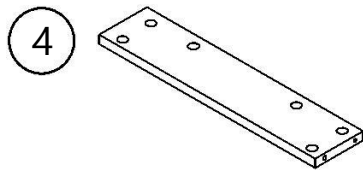
①
x1
T5046096010YX
TOP PANEL



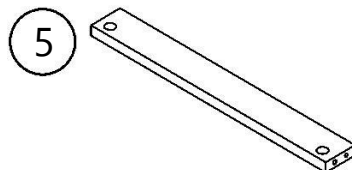
②
x1
T5046096020YX
BOTTOM PANEL



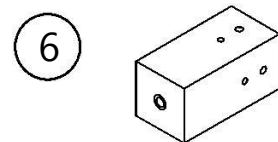
③
x4
T5046096030YX
LEG



④
x4
T5046096040YX
UPPER SUPPORT PANEL



⑤
x4
T5046096050YX
LOWER SUPPORT PANEL



⑥
x4
T5046096060YX
FOOT

Hardware Bag Reference Number:
25046096COM0YX

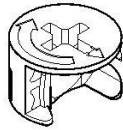


Part List

Actual Size



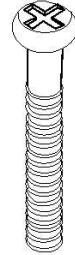
x32
TYX0001
Cam Bolt



x32
TYX0002
Cam Lock
15-12



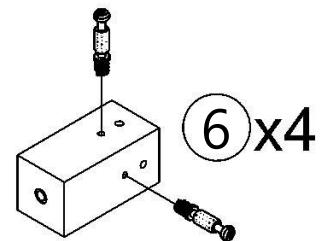
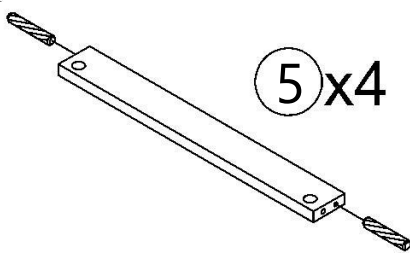
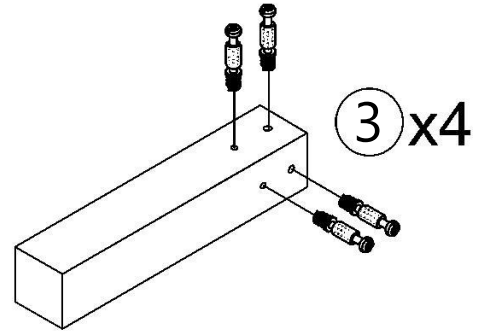
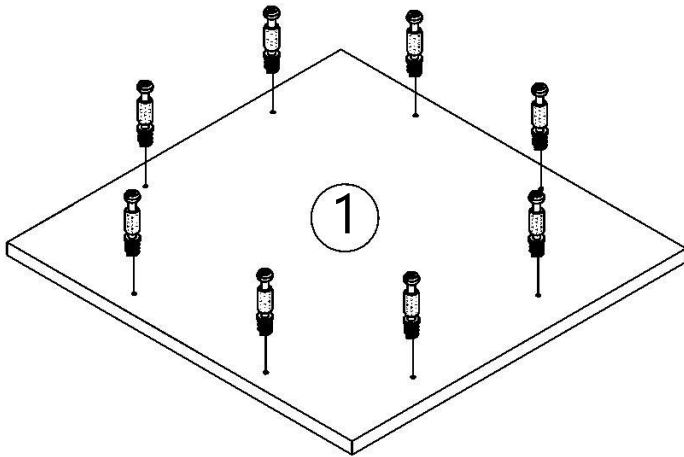
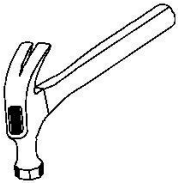
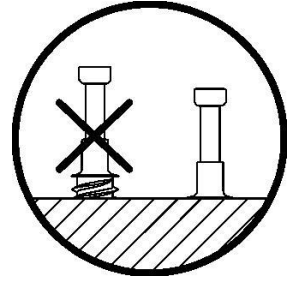
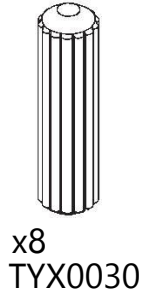
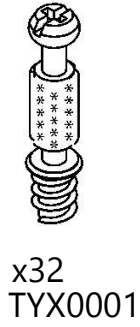
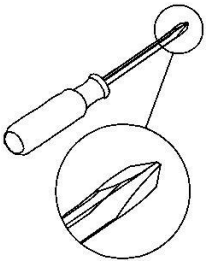
x8
TYX0030
DOWEL 6 X 30



x4
TYX0029
BOLT M6 X 70

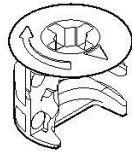
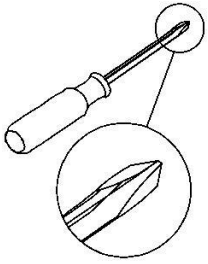


Step 1

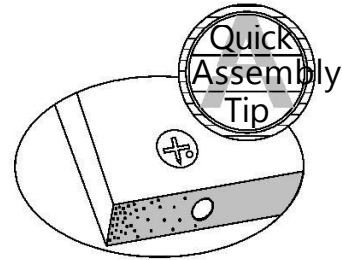


* raw edges are shaded

Step 2

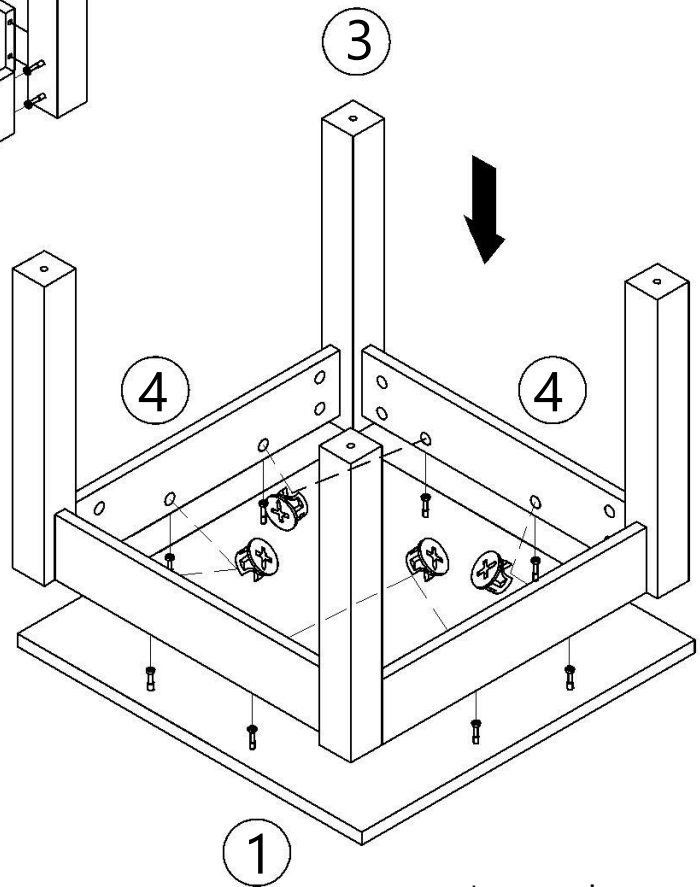
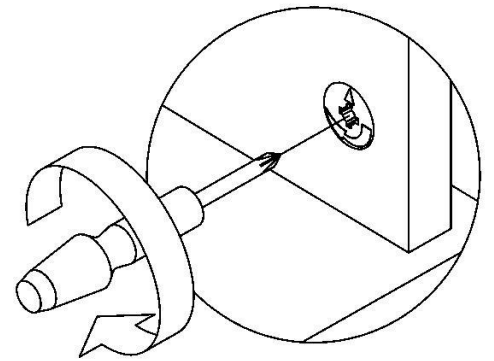
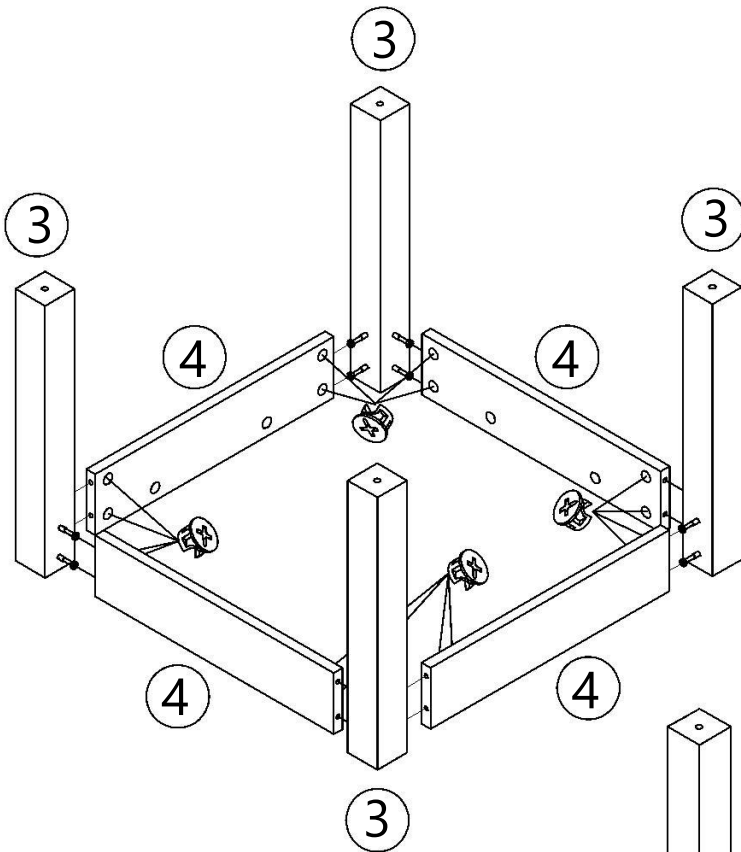
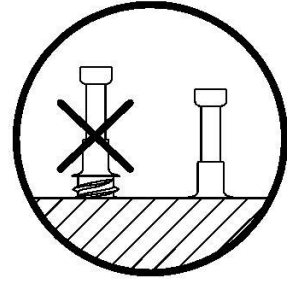


x24
TYX0002



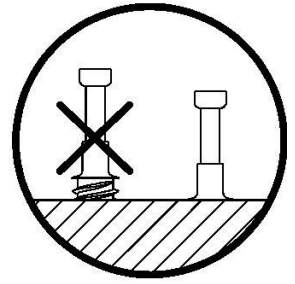
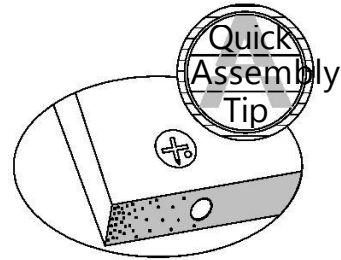
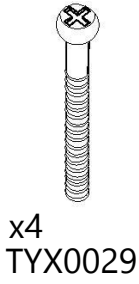
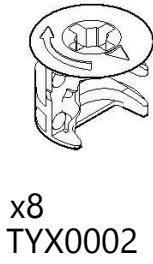
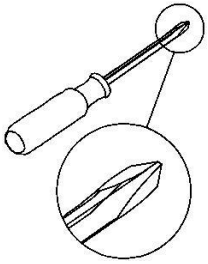
Quick
Assembly
Tip

Proper orientation of CAM LOCK

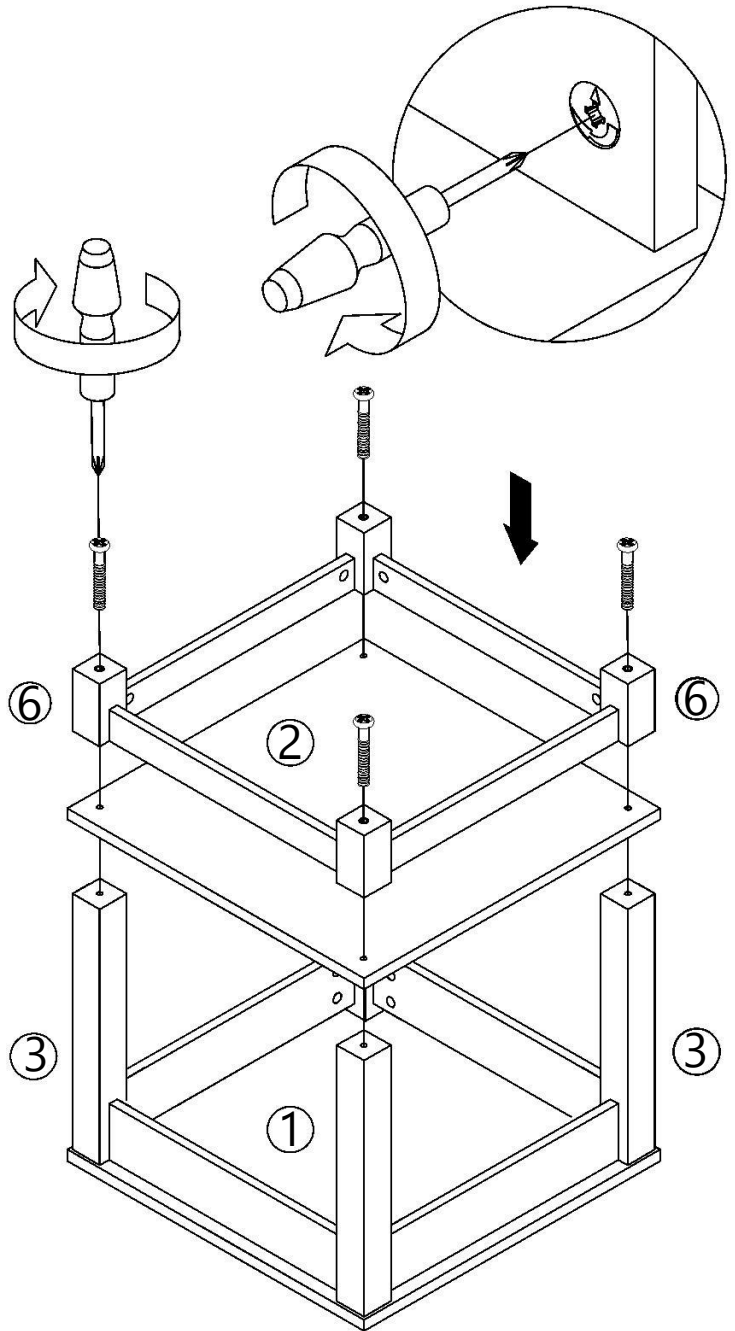
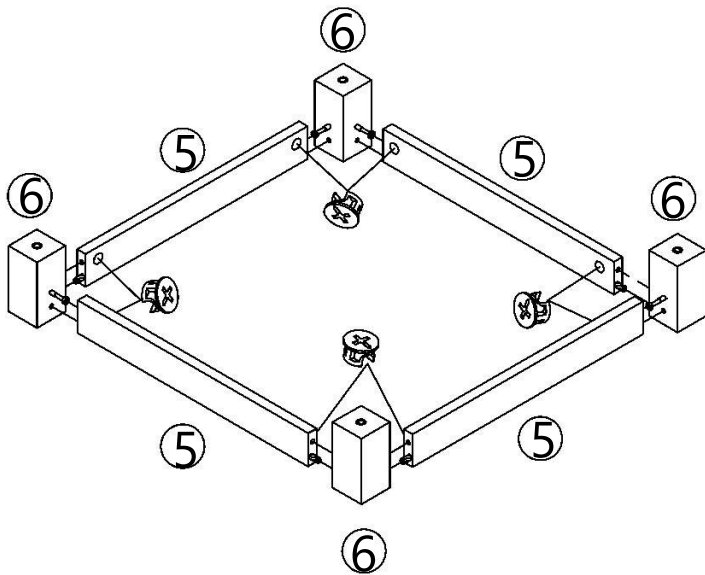


* raw edges are shaded

Step 3



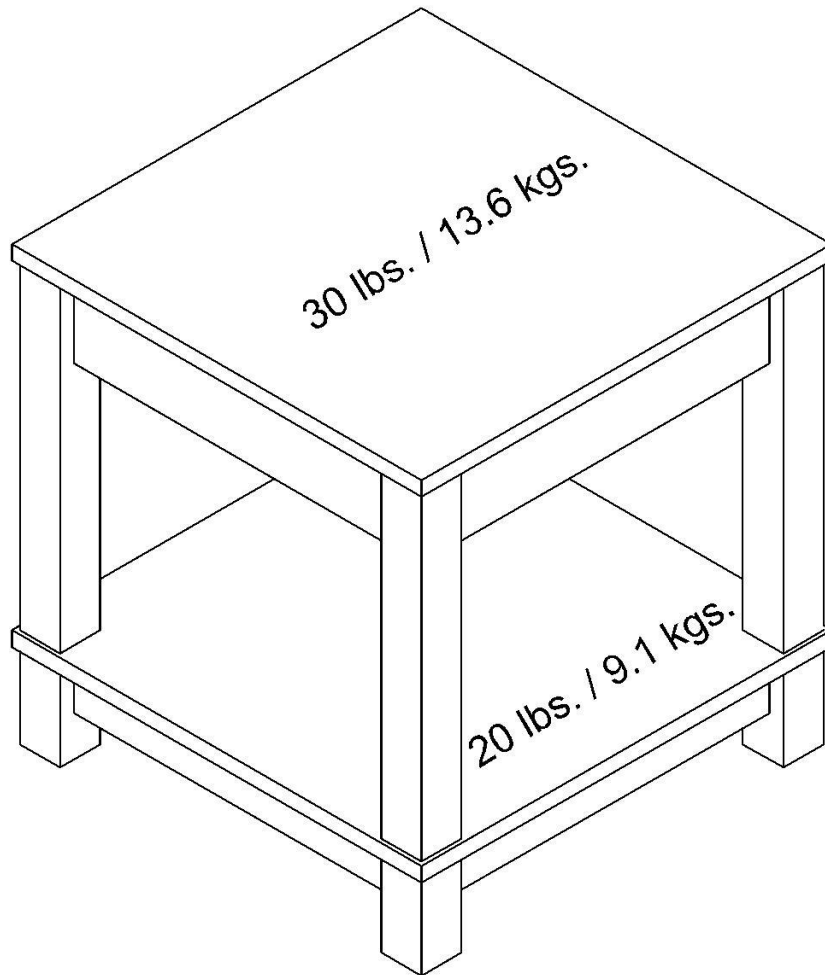
Proper orientation of CAM LOCK



* raw edges are shaded

Maximum Loads

This unit has been designed to support the maximum loads shown. Exceeding these load limits could cause sagging, instability, product collapse, and/or serious injury.



Warning: Risk of serious injury to person - do not place a television on this furniture. This furniture is not approved for use with a television.

Certificate of Conformity

1. This certificate applies to Dorel Home Furnishings, Inc. product identified by this instruction manual.
2. This certificate applies to compliance of this product with the CPSC Ban on Lead-Containing Paint (16 CFR 1303).
3. This product is distributed by: Dorel Home Furnishings, Inc.
410 East First Street South,
Wright City, MO 63390
636-745-3351
4. Site of Manufacturer: Muar, Malaysia.
5. See front page of instruction manual for date of manufacturer.

Register your product to receive the following:



- * New trend details -sneak peek on what's new
- * Surveys -have a voice within our community
- * Exclusive deals and discount codes
- * Quick and easy replacement part service

To register your product, visit
To register your product, visit Ameriwoodhome.com

5 Star Rating



Visit your local retailer's website, rate your purchased product and leave us some feedback!

We would like to extend a big "Thank You" to all of our customers for taking the time to assemble this Ameriwood Home product, and to give us your valuable feedback

*Thank
You!*