

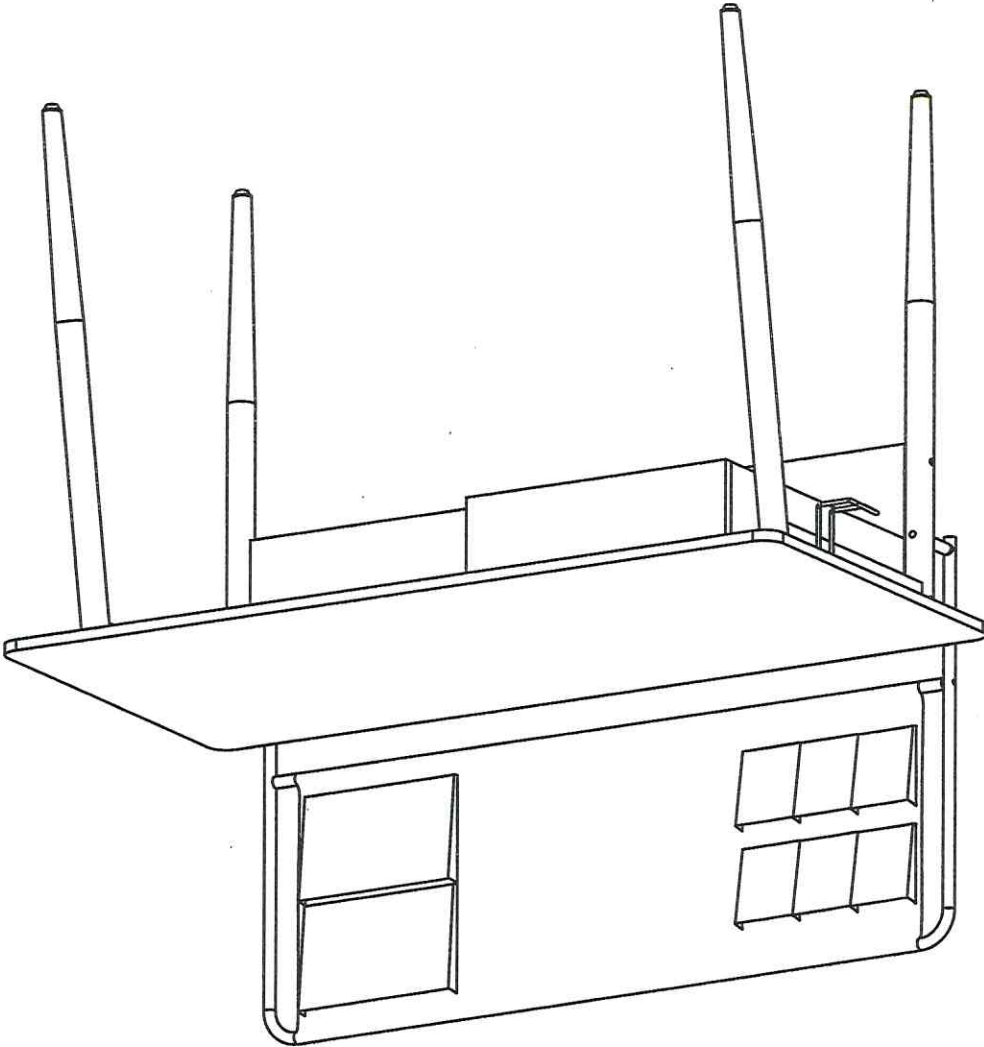
Customer services:

01942 524 100

cseurope@dorel.com

Dorel Home Furnishings Ltd.

Building 4, Imperial Place, Maxwell Road,
Borehamwood WD6 1JN United Kingdom.



Please retain this booklet as you will be asked
to quote this number for any warranty or
product related queries

PO100576

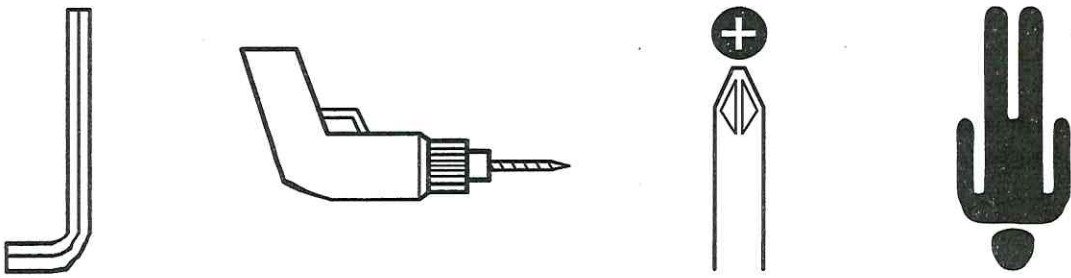
REFERENCE NO.

Thank you for purchasing this desk. Please read the instructions carefully before use to ensure safe and satisfactory operation of this product.

Pre-assembly preparation

Please ensure instructions are read in full before attempting to assemble this product

Necessary Tools



Note: Some of the tools shown here are optional and are required only for quick assembly of this product

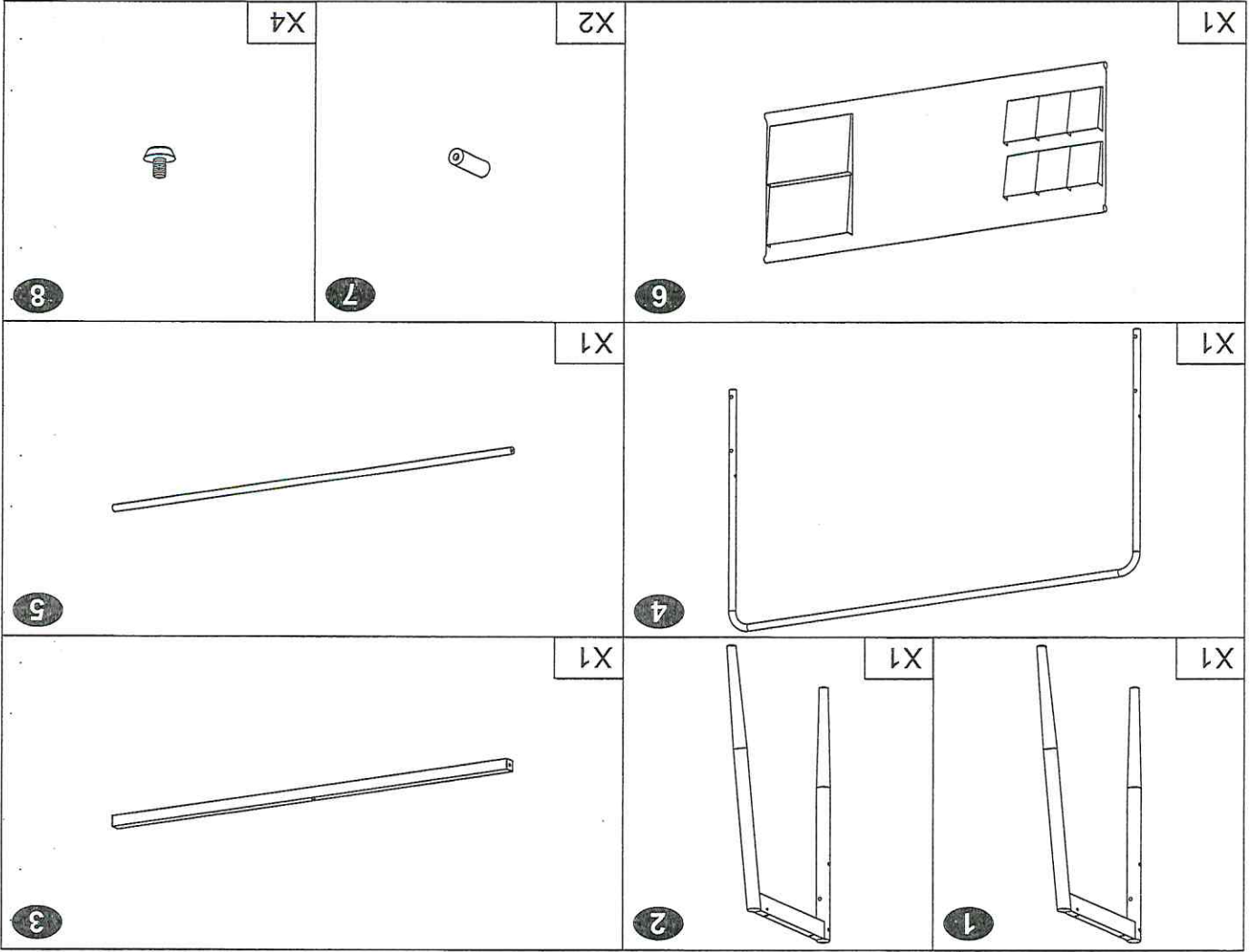
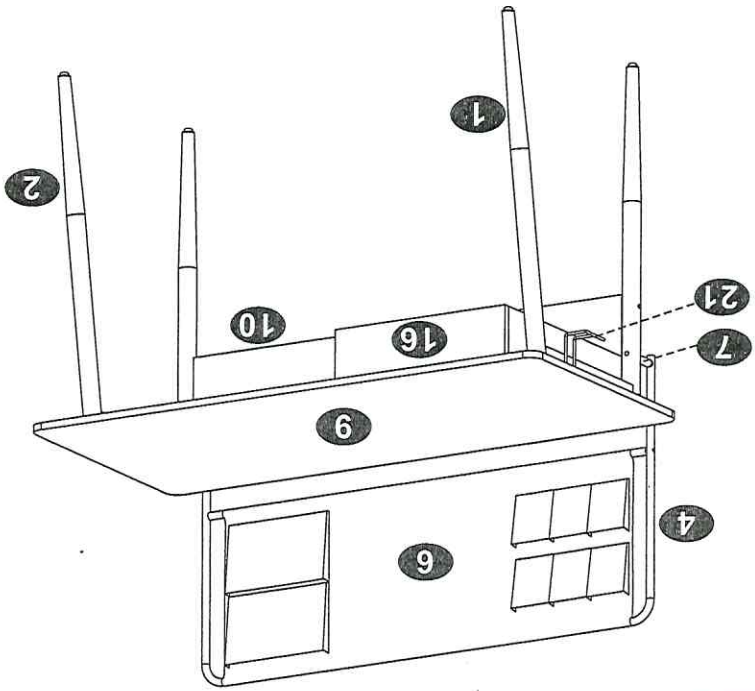
Please check the pack contents before attempting to assemble this product. A full checklist of components is given in this leaflet. If any components are missing, please contact the retailer from whom you bought this product.

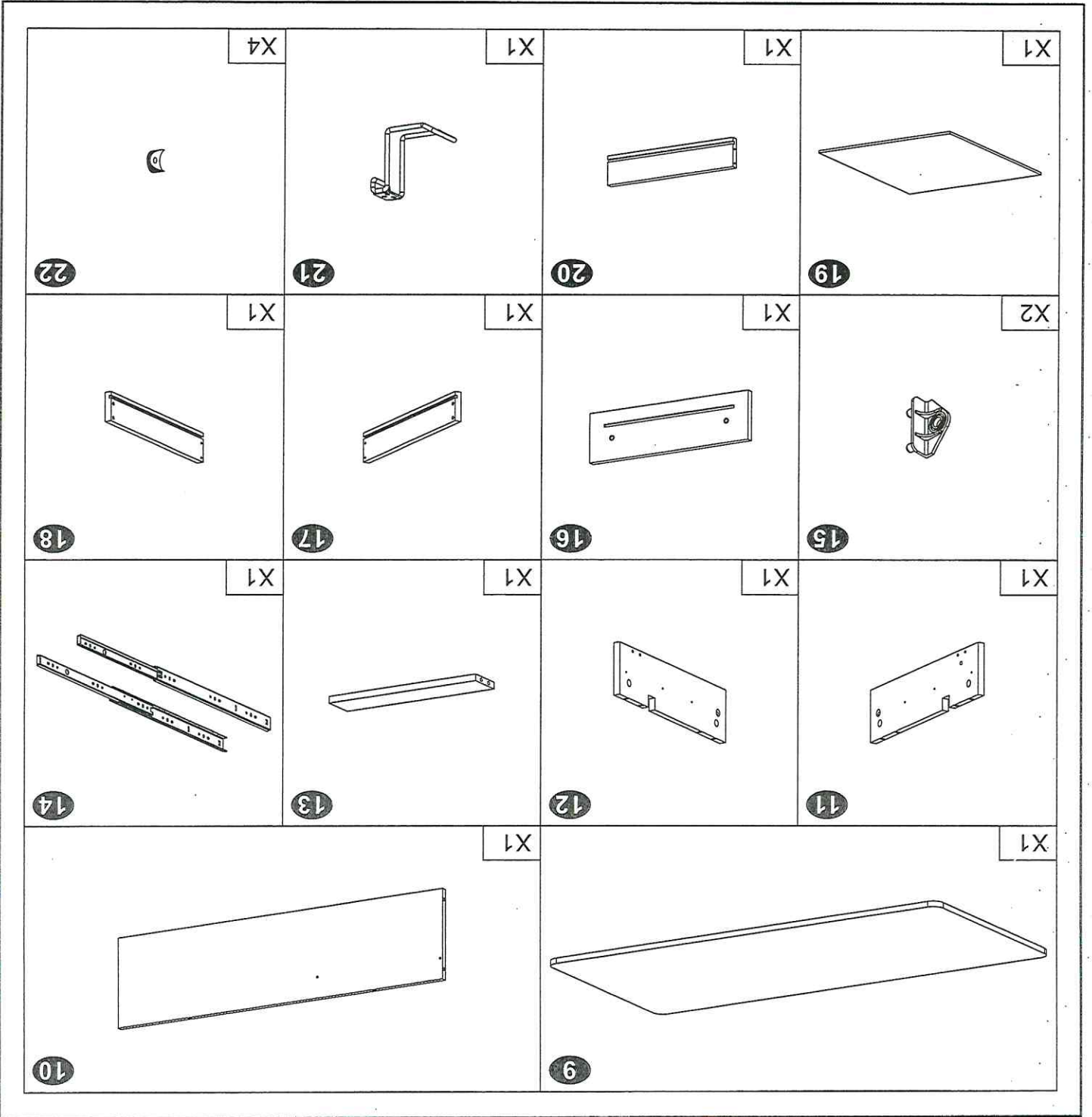
This product is HEAVY, it should be assembled as near as possible to the point of use. TAKE CARE WHEN LIFTING to avoid personal injury and (or) damage to the product.

This product takes approximately 30 MINUTES to assemble with 2 PEOPLE.

The fittings pack contains SMALL ITEMS which should be KEPT AWAY FROM YOUNG CHILDREN.

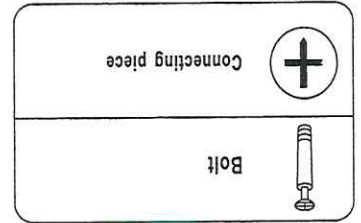
Read this leaflet in full before commencing assembly.



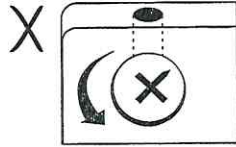


PART	QTY.	ITEM
A	12	6X40 MM
B	3	6X25 MM
C	2	6X12 MM
D	3	6X35 MM
E	6	6X45 MM
F	4	6X60 MM
G	14	3X15 MM
PART	QTY.	ITEM
H	4	4X35 MM
I	3	4X14 MM
J	4	6X75 MM
K	12	Φ 15 MM
L	4	8X30 MM
M	6	Φ 10 MM
	1	

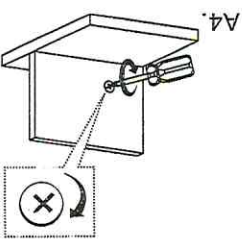
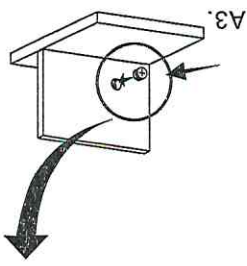
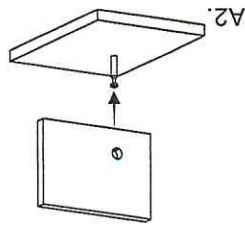
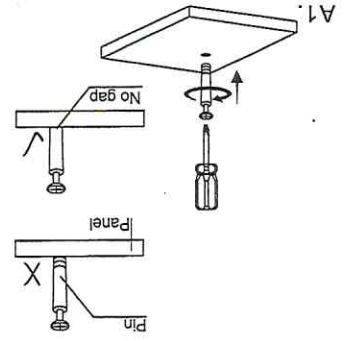
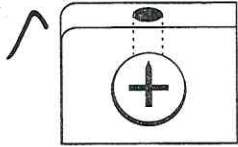
6X40MM BOLT INSTALLATION AS BELOW:



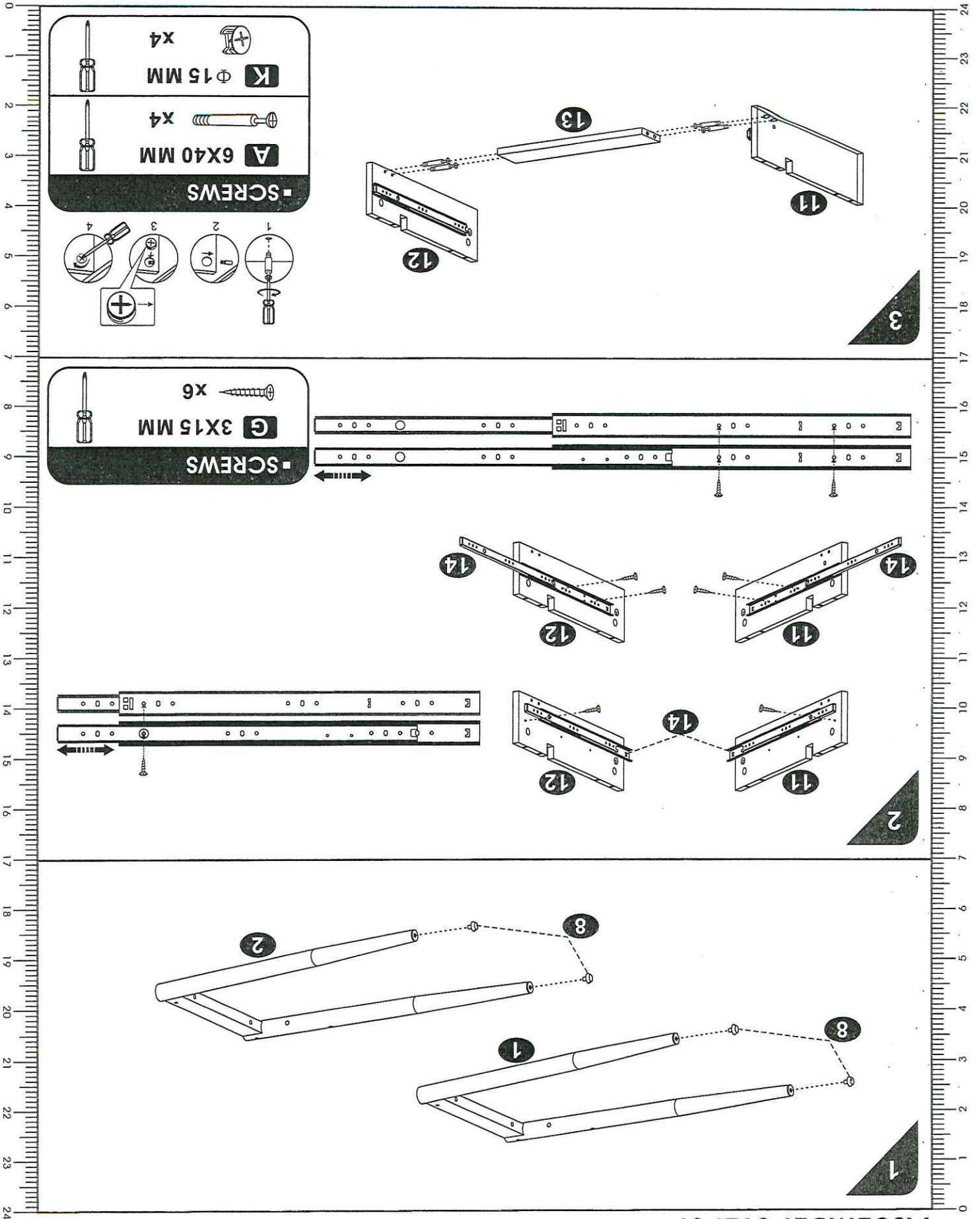
Rotate connecting piece if found in position illustrated above

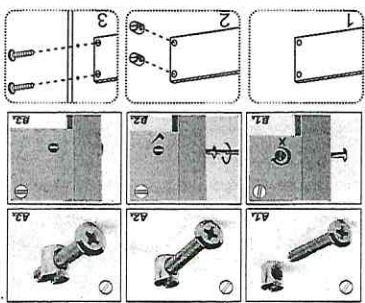
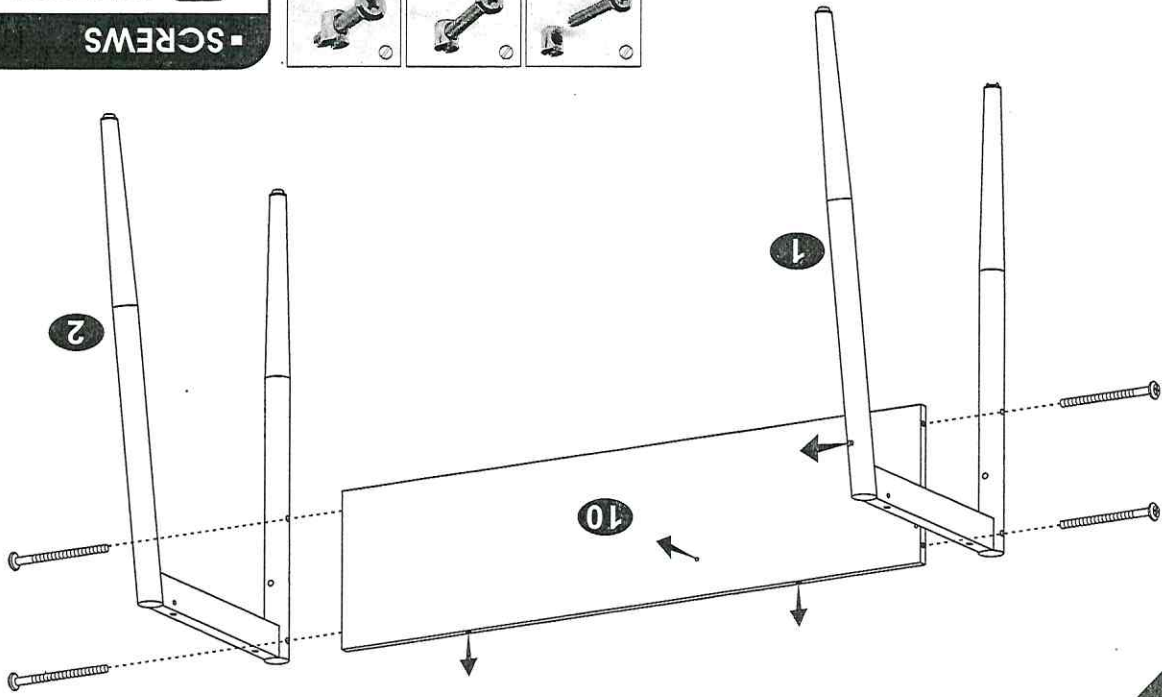


Correct orientation to receive bolts



ASSEMBLY STEPS:

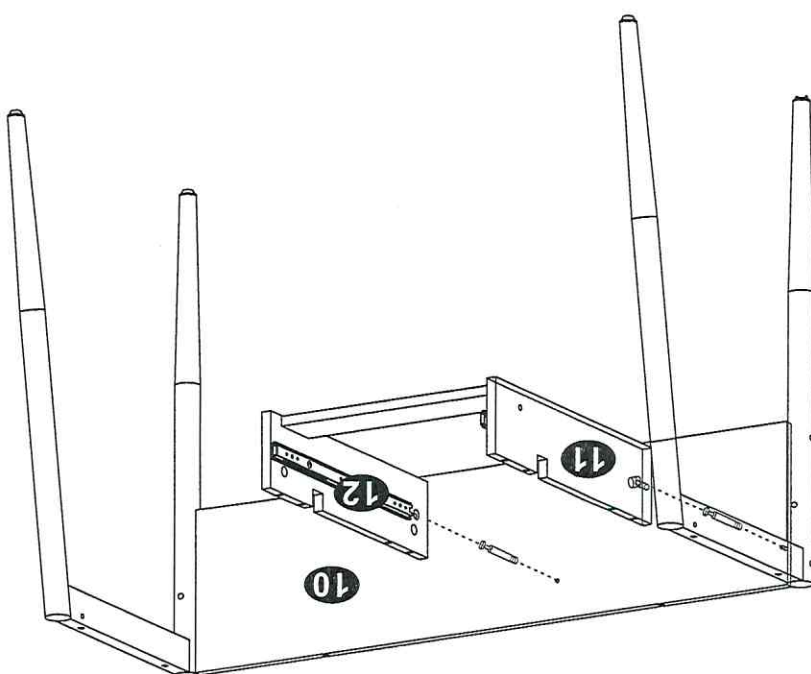




-SCREWS

J 6X75 MM X4

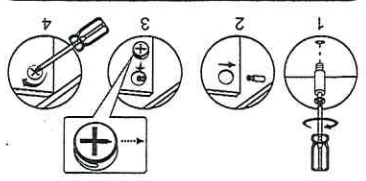
M Φ 10 MM X4

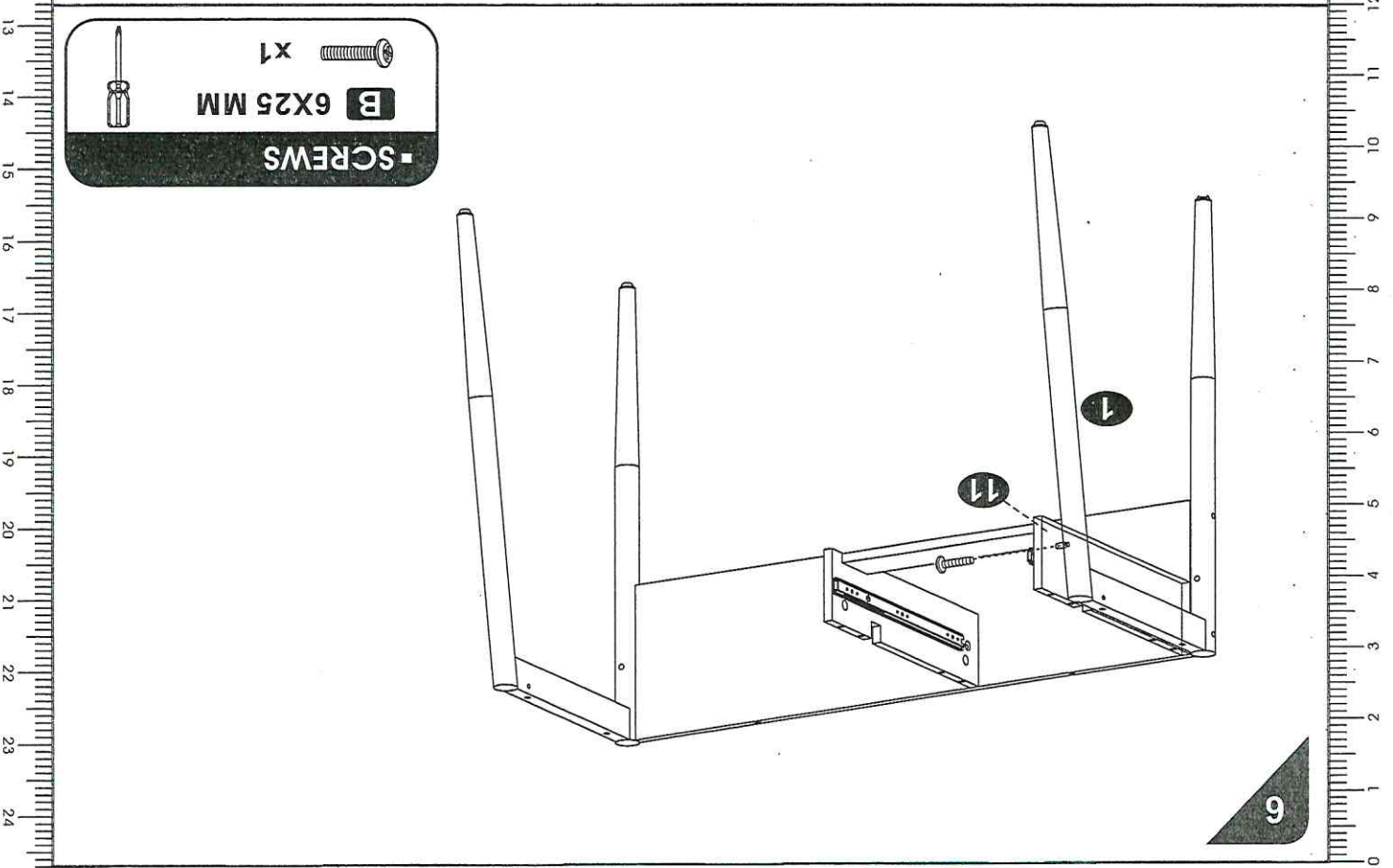
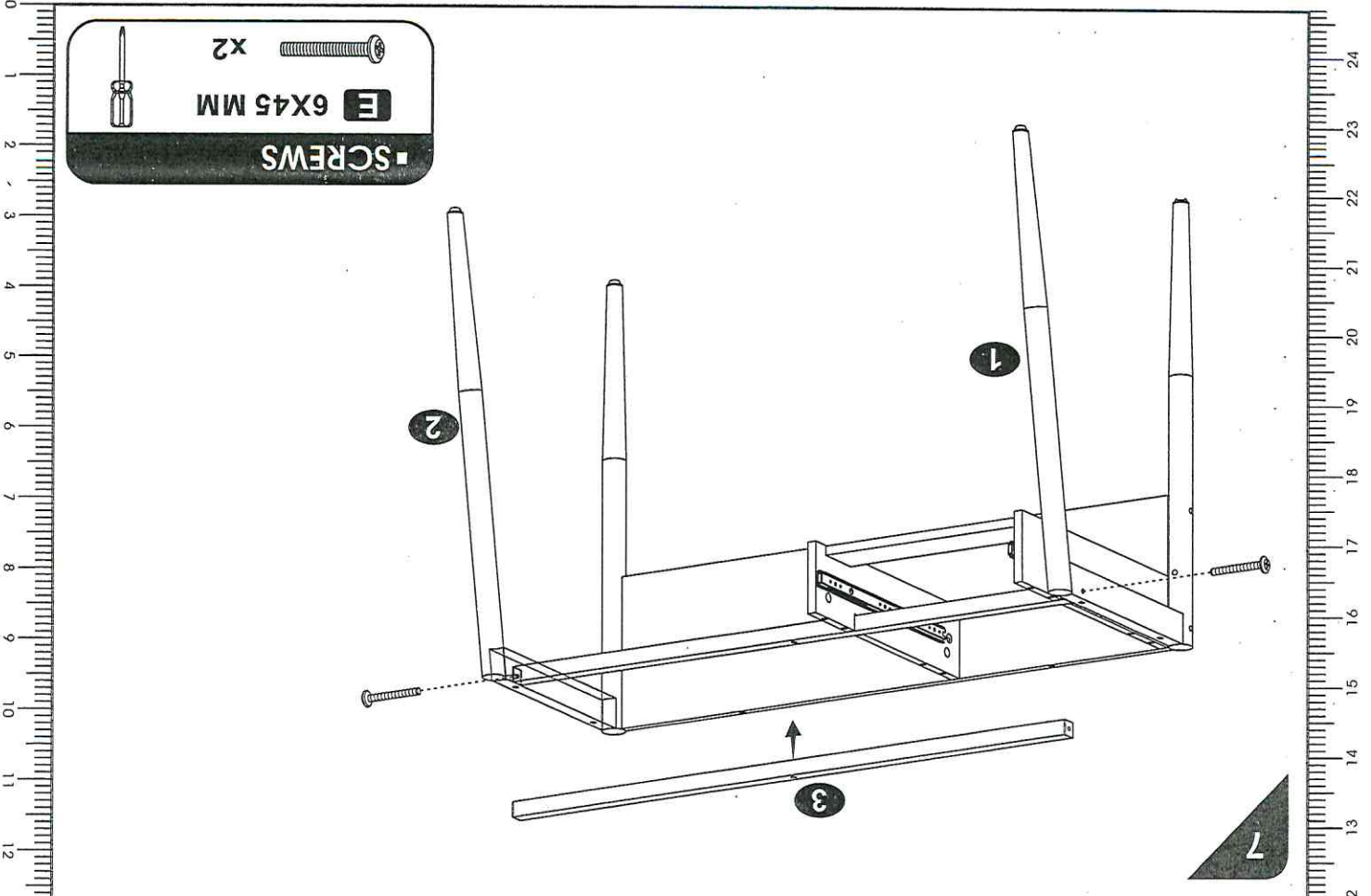


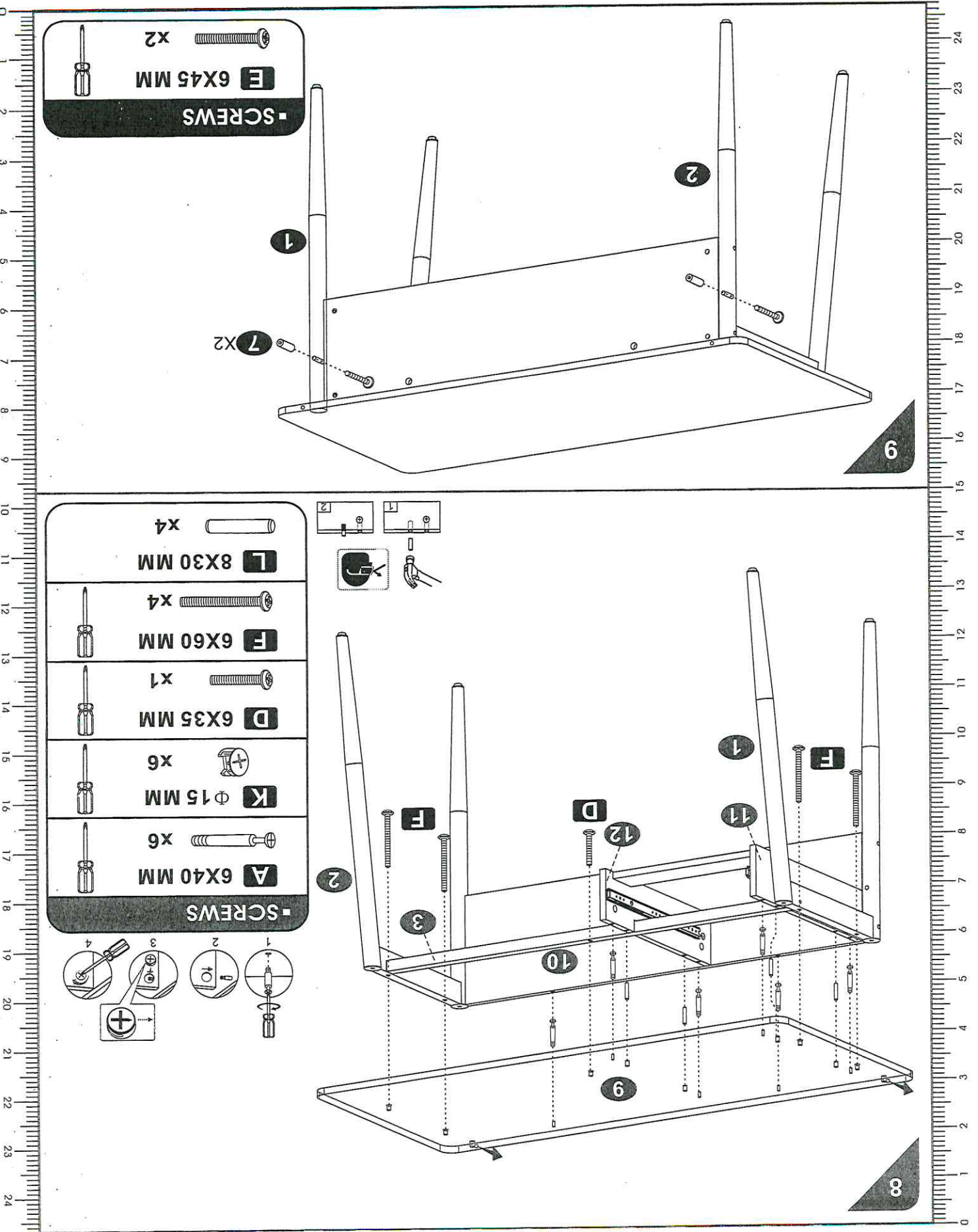
-SCREWS

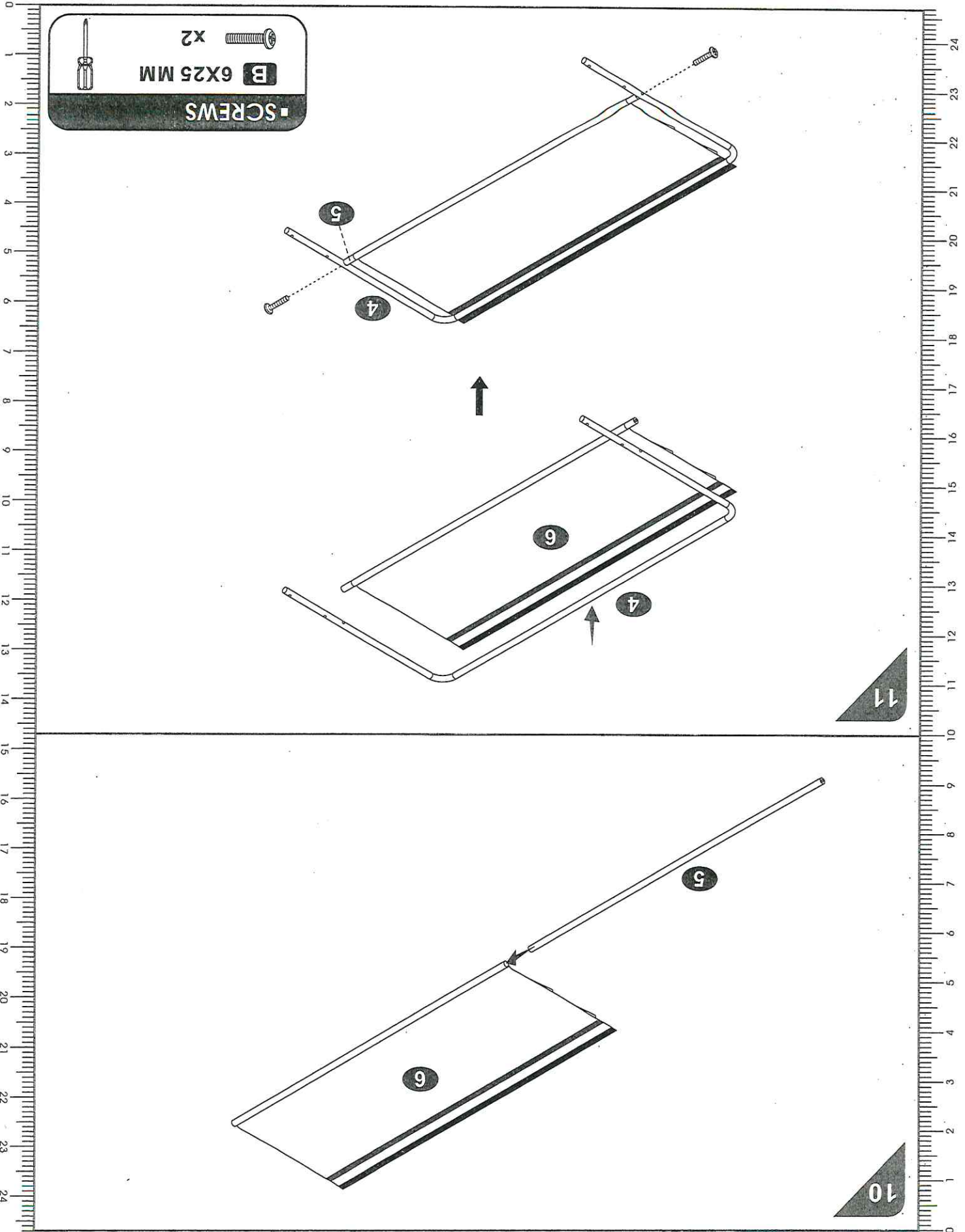
A 6X40 MM X2

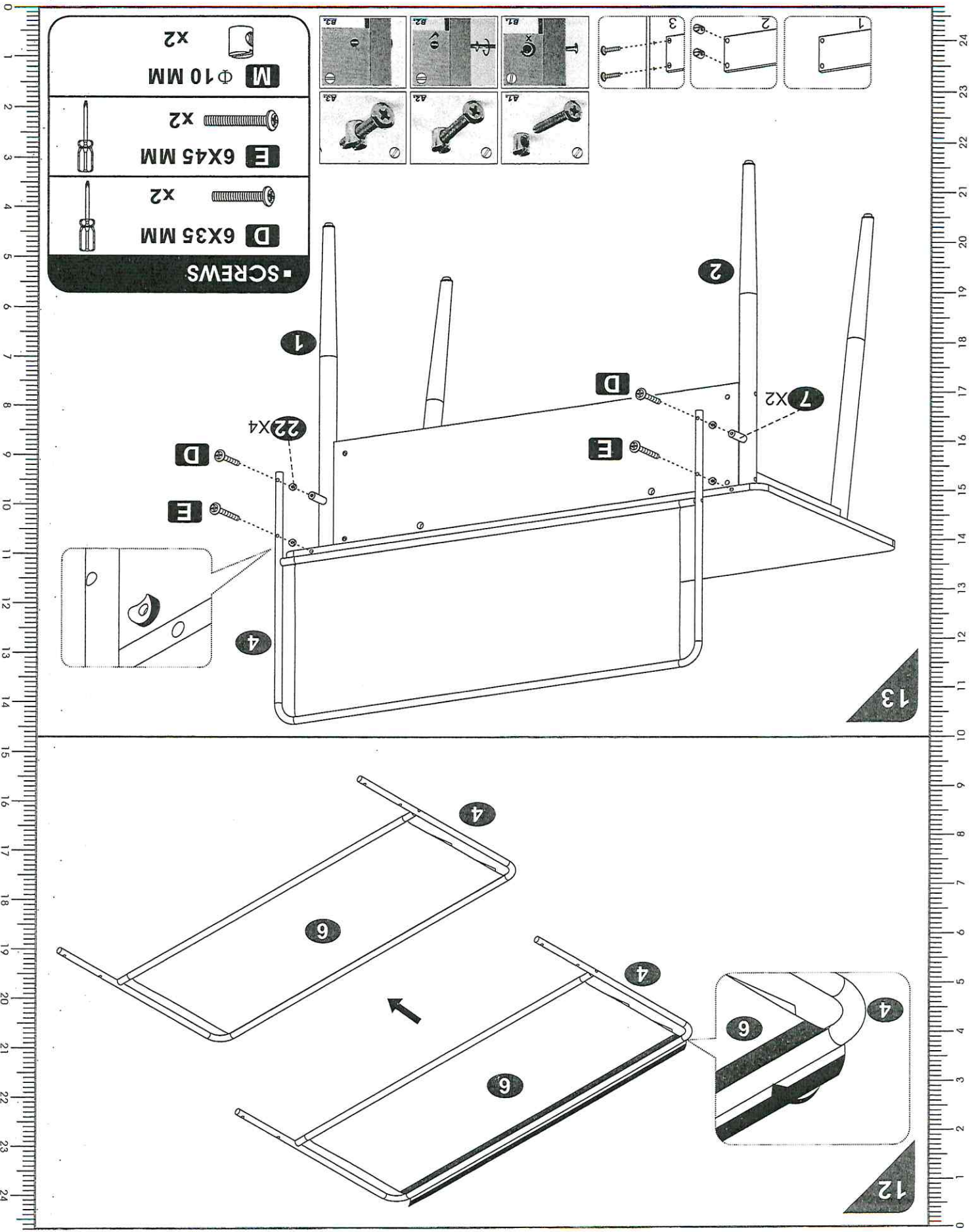
K Φ 15 MM X2










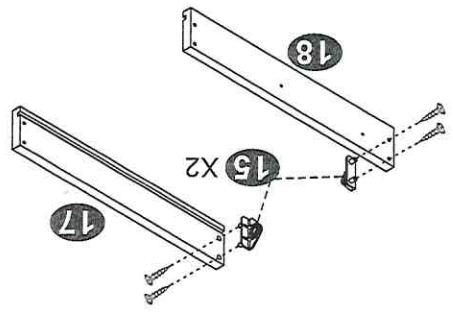



14



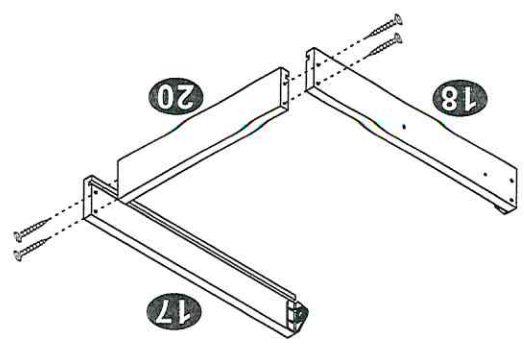

I 4X14 MM
 -SCREWS
 X3


15




G 3X15 MM
 -SCREWS
 X4

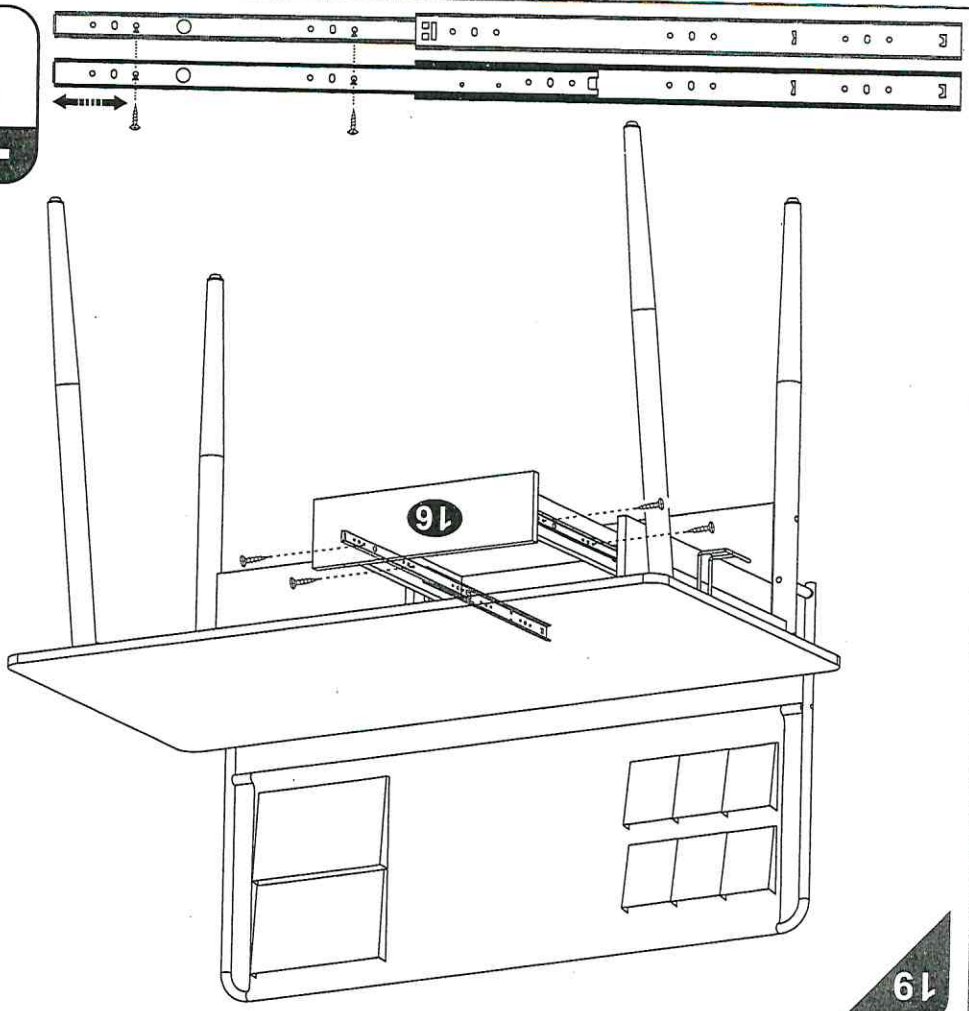


16




H 4X35 MM
 -SCREWS
 X4



-SCREWS
C 6X12 MM
X2



-SCREWS
G 3X15 MM
X4

