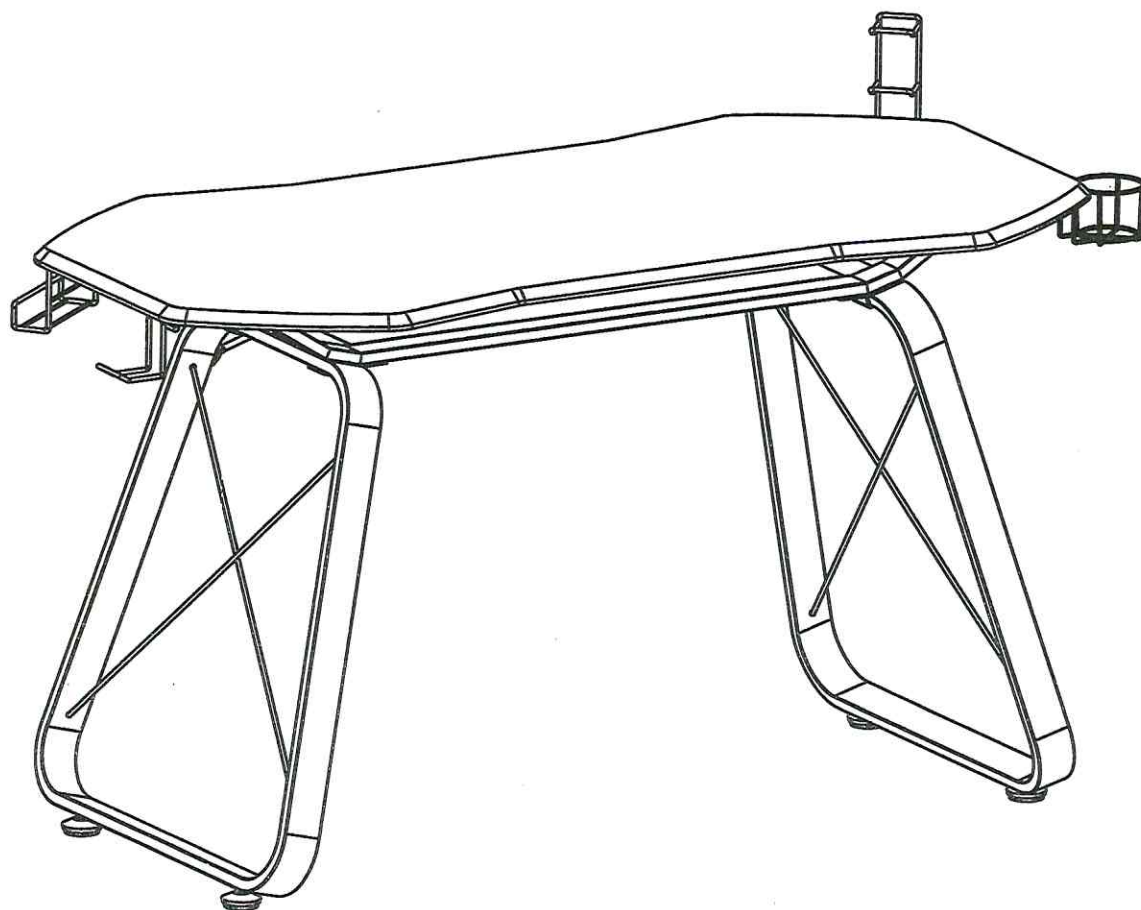


# AW9220



## Customer services:



01942 524 100



[cseurope@dorel.com](mailto:cseurope@dorel.com)



Dorel Home Furnishings Ltd.  
Building 4, Imperial Place, Maxwell Road,  
Borehamwood WD6 1JN United Kingdom.

REFERENCE NO:

**PO100712**

Please retain this booklet as you will be asked  
to quote this number for any warranty or  
product related queries

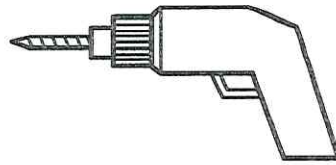
# AW9220

Thank you for purchasing this desk. Please read the instructions carefully before use to ensure safe and satisfactory operation of this product.

## Pre-assembly preparation

Please ensure instructions are read in full before attempting to assemble this product

## Necessary Tools



Note: Some of the tools shown here are optional and are required only for quick assembly of this product

Please check the pack contents before attempting to assemble this product. A full checklist of components is given in this leaflet. If any components are missing, please contact the retailer from whom you bought this product.

This product is **HEAVY**, it should be assembled as near as possible to the point of use. **TAKE CARE WHEN LIFTING** to avoid personal injury and (or) damage to the product.

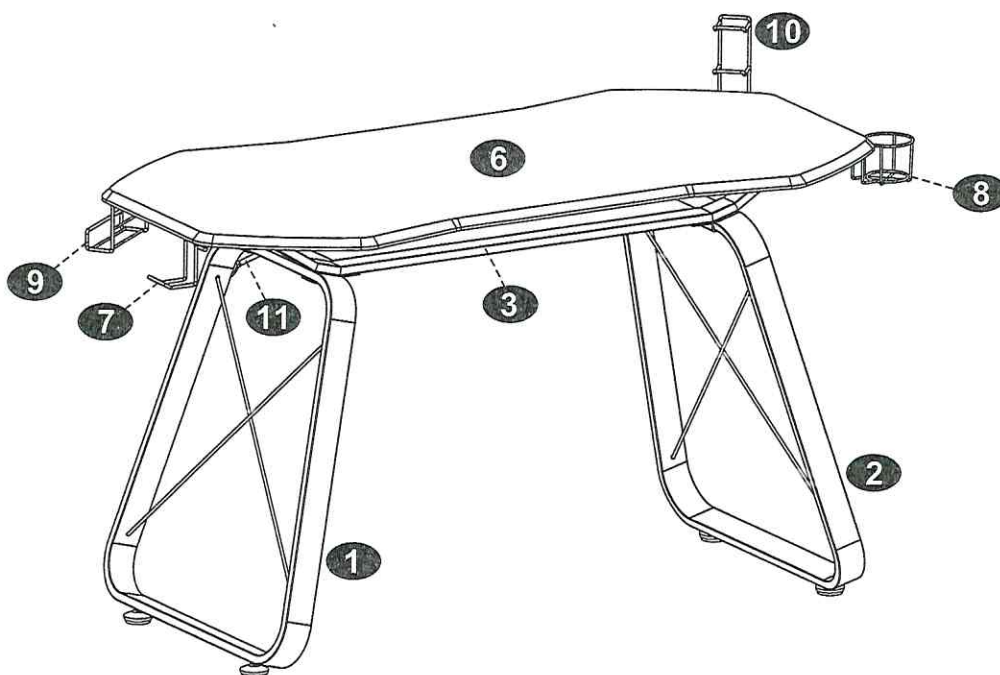
This product takes approximately **30 MINUTES** to assemble with **2 PEOPLE**.

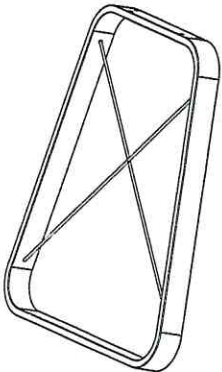
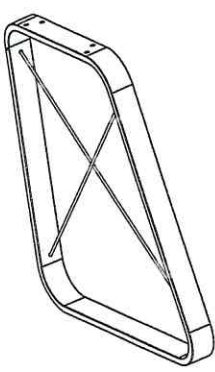
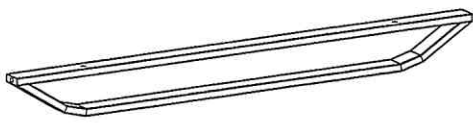
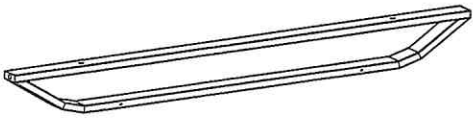
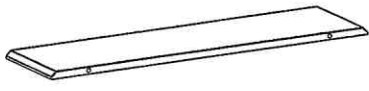
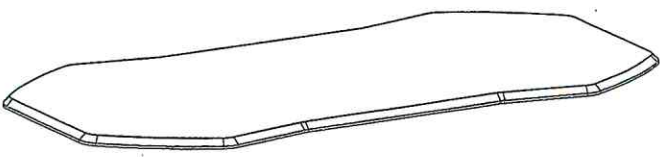

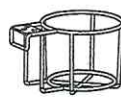
The fittings pack contains **SMALL ITEMS** which should be **KEPT AWAY FROM YOUNG CHILDREN**.

Read this leaflet in full before commencing assembly.

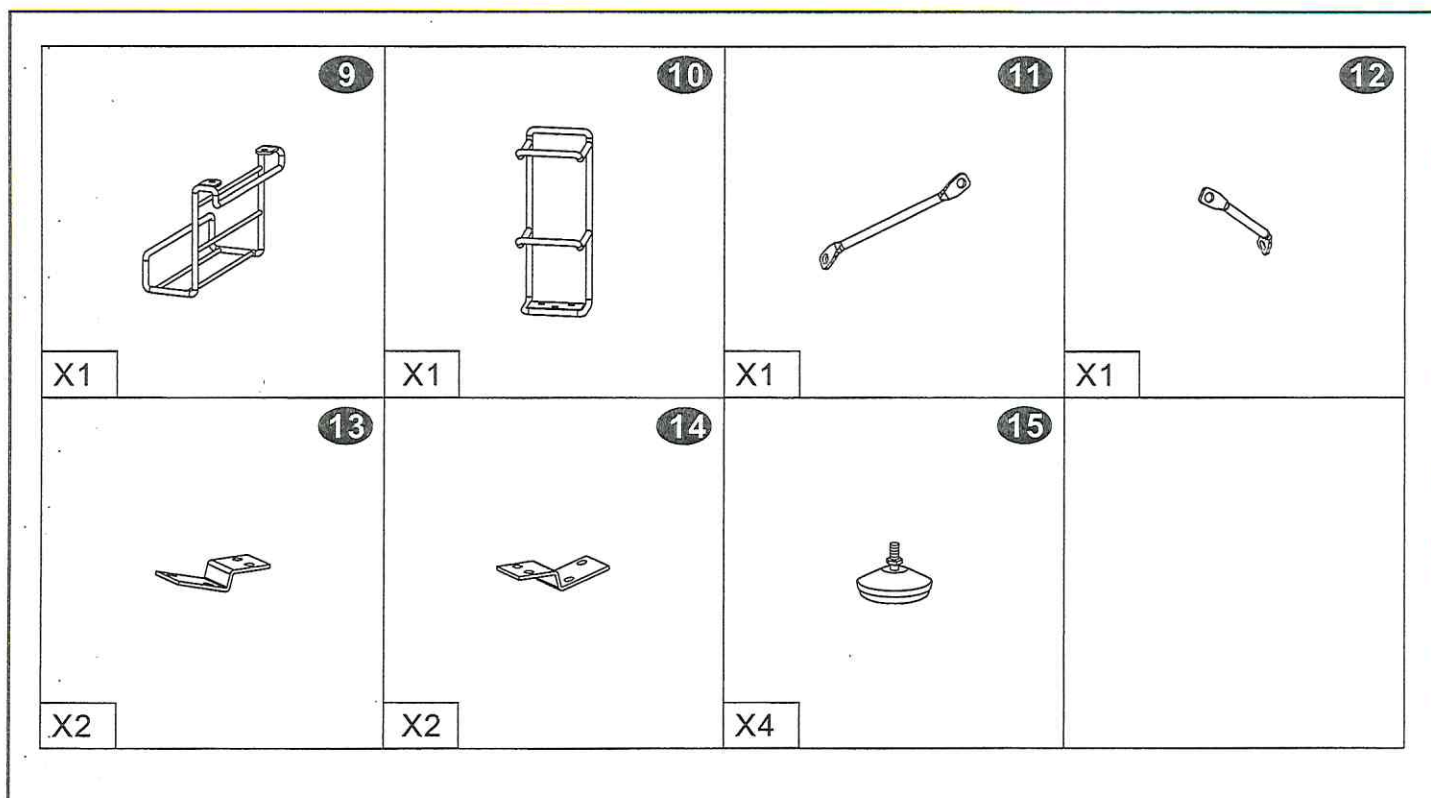
# AW9220

## ■PARTS LIST







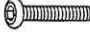
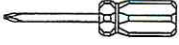
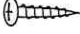
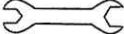
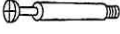
 <p>1</p> <p>X1</p>	 <p>2</p> <p>X1</p>	 <p>3</p> <p>X1</p>
		 <p>4</p> <p>X1</p>
		 <p>5</p> <p>X1</p>
 <p>6</p> <p>X1</p>	 <p>7</p> <p>X1</p>	 <p>8</p> <p>X1</p>

# AW9220

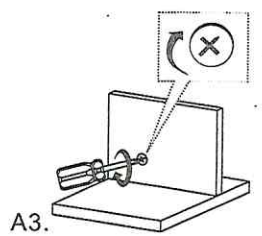
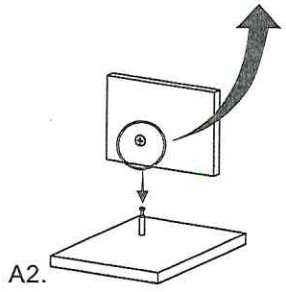
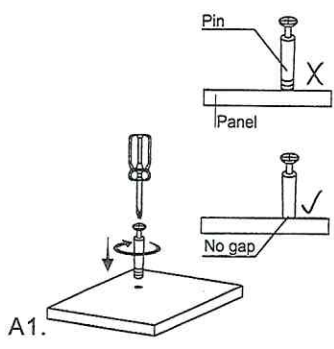
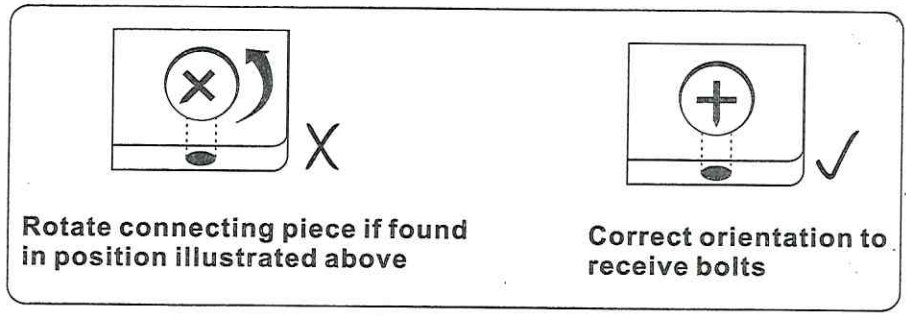
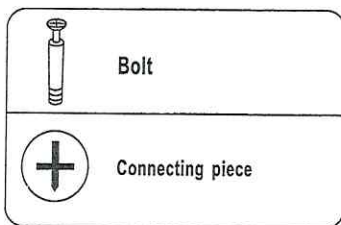


# AW9220

## SCREWS LIST

PART	QTY.	ITEM		PART	QTY.	ITEM	
<b>A</b>	12	6X15 MM		<b>F</b>	20	Φ 10 MM	
<b>B</b>	4	6X25 MM			1	M 4	
<b>C</b>	8	6X30 MM			1		
<b>D</b>	11	4X14 MM			1		
<b>E</b>	4	6X40 MM					

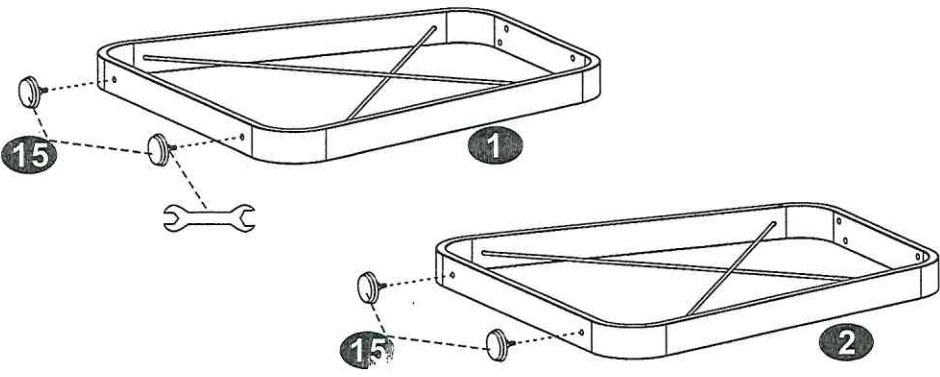
### 6X40MM BOLT INSTALLATION AS BELOW:



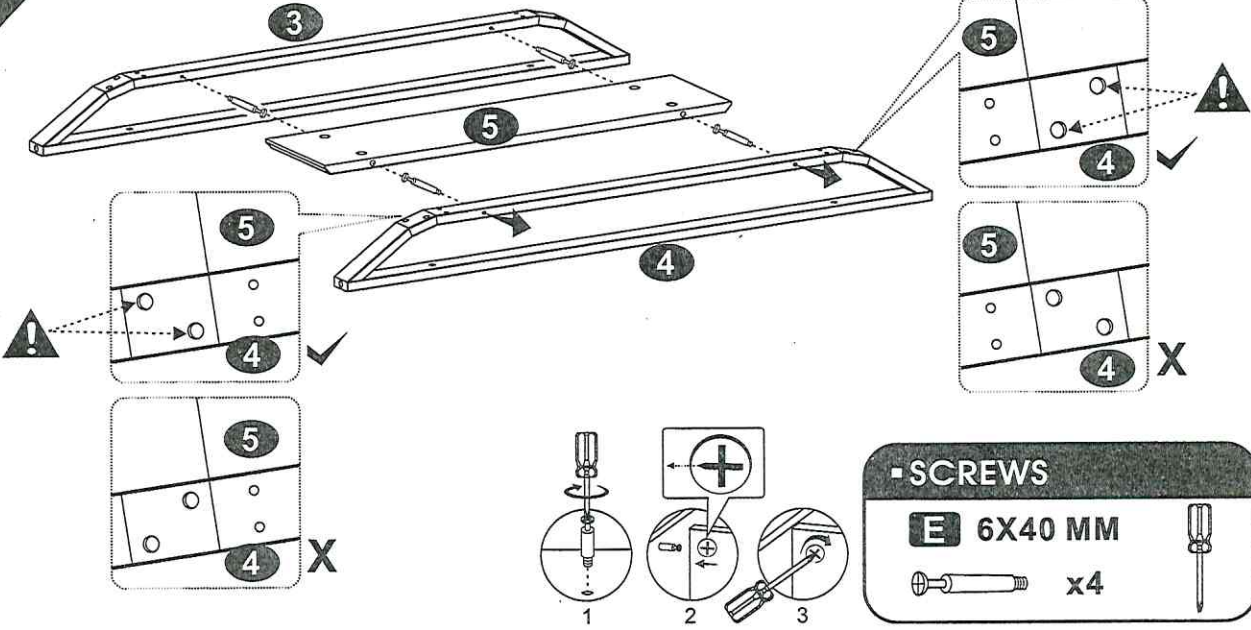
# AW9220

## ASSEMBLY STEPS:

**1**

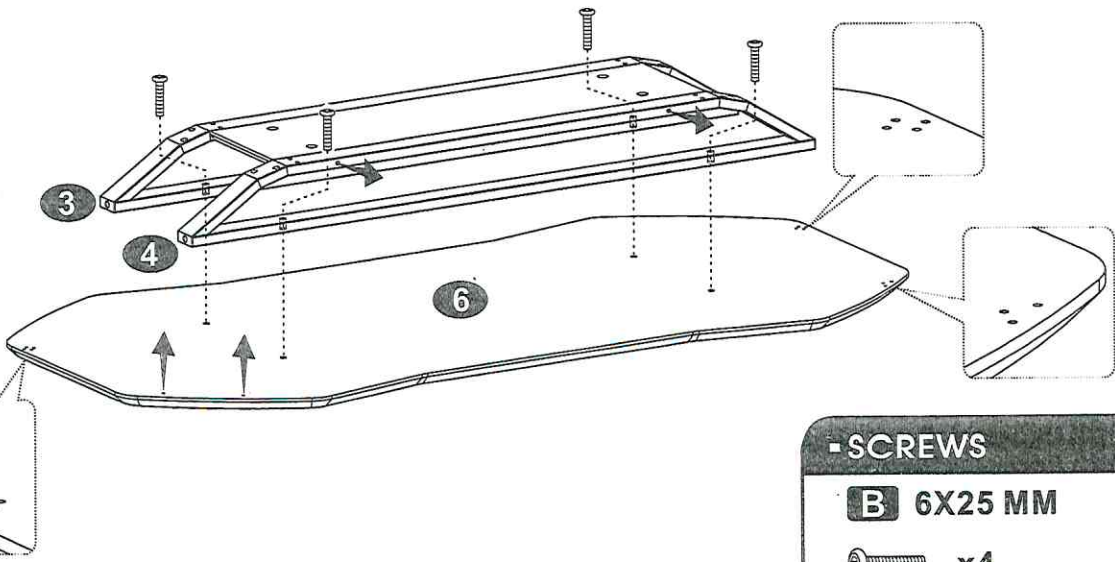


**2**



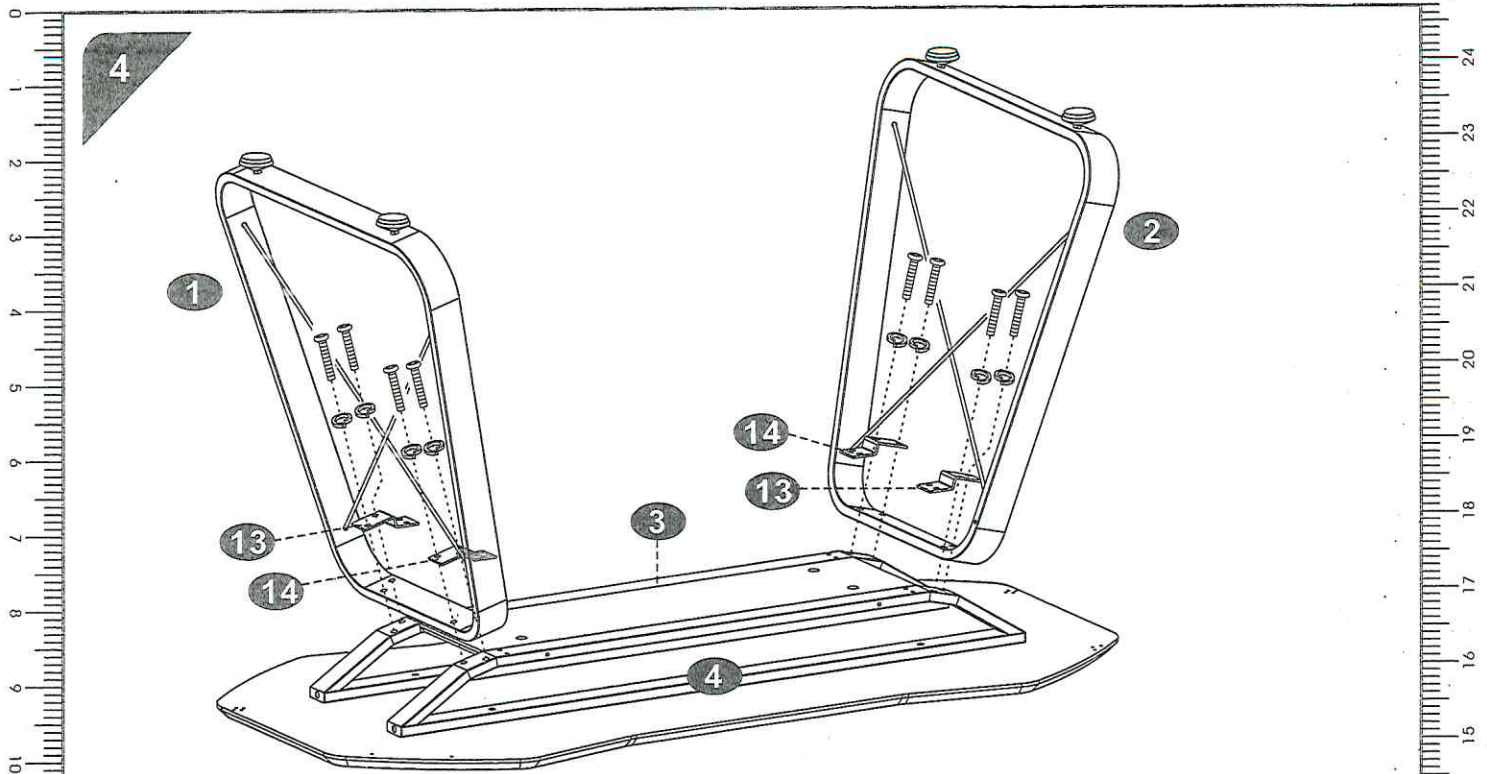
**SCREWS**  
**E 6X40 MM**  
x4

**3**



**SCREWS**  
**B 6X25 MM**  
x4

# AW9220



- SCREWS

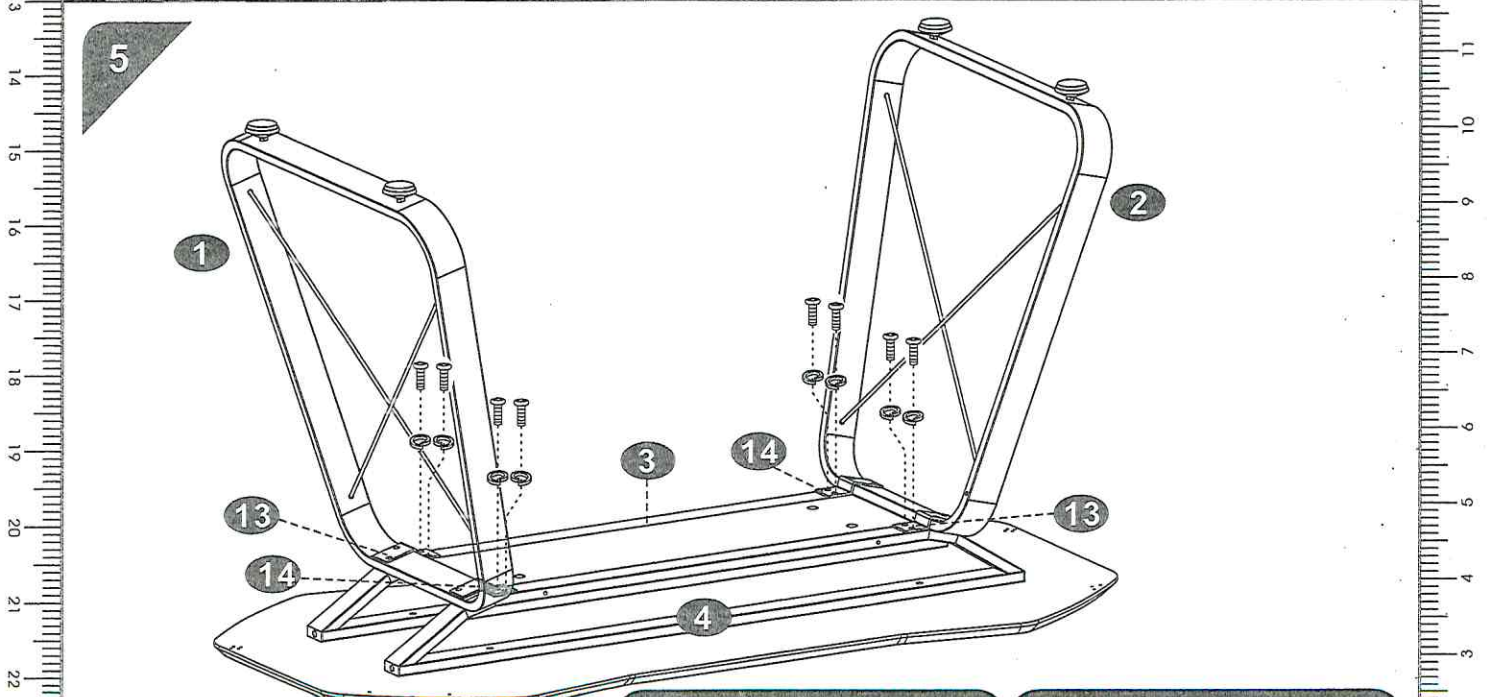
**F**  $\Phi$  10 MM

 x8

- SCREWS


**C** 6X30 MM

 x8 




- SCREWS

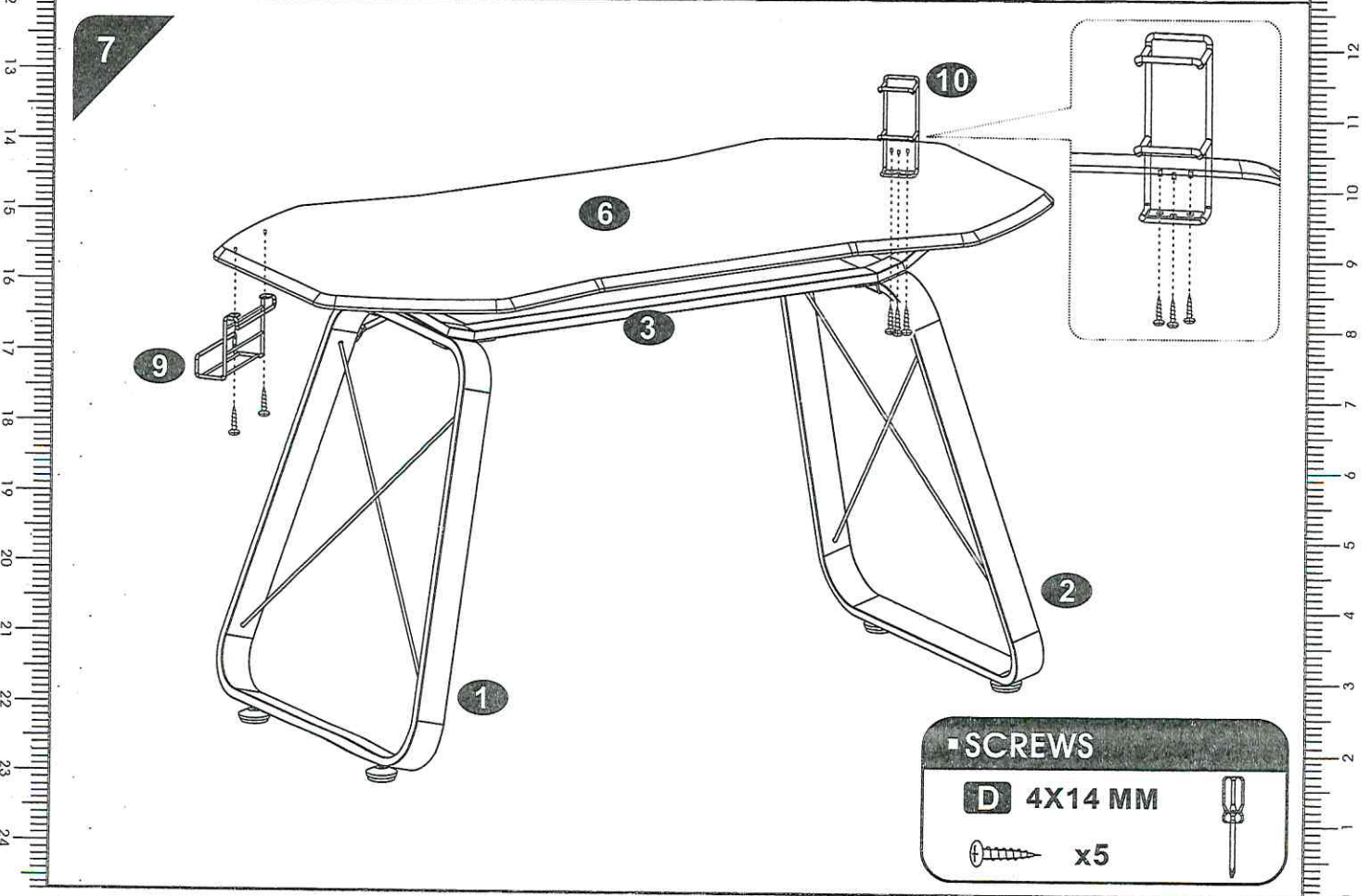
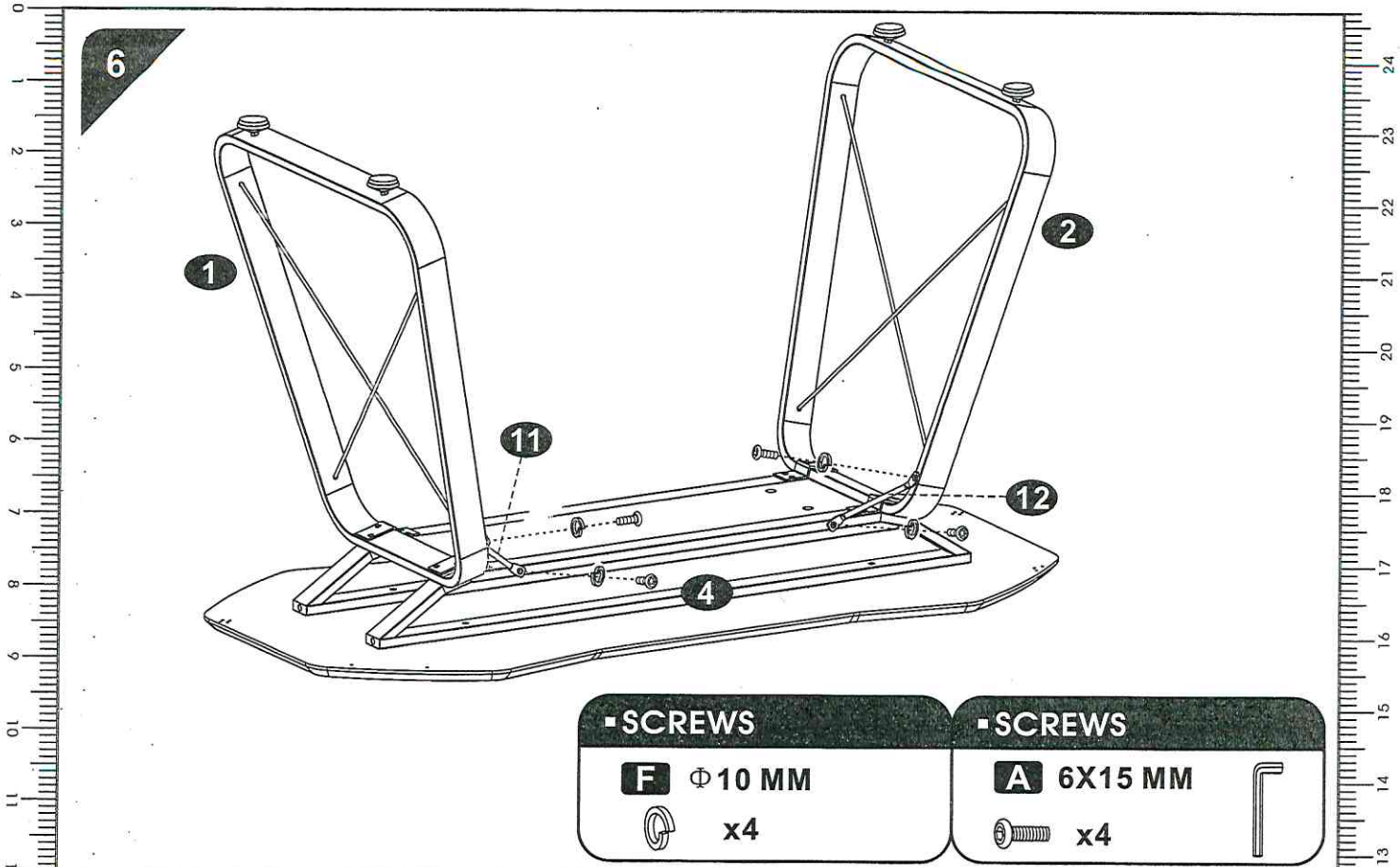
**F**  $\Phi$  10 MM

 x8

- SCREWS

**A** 6X15 MM

 x8 



# AW9220

