



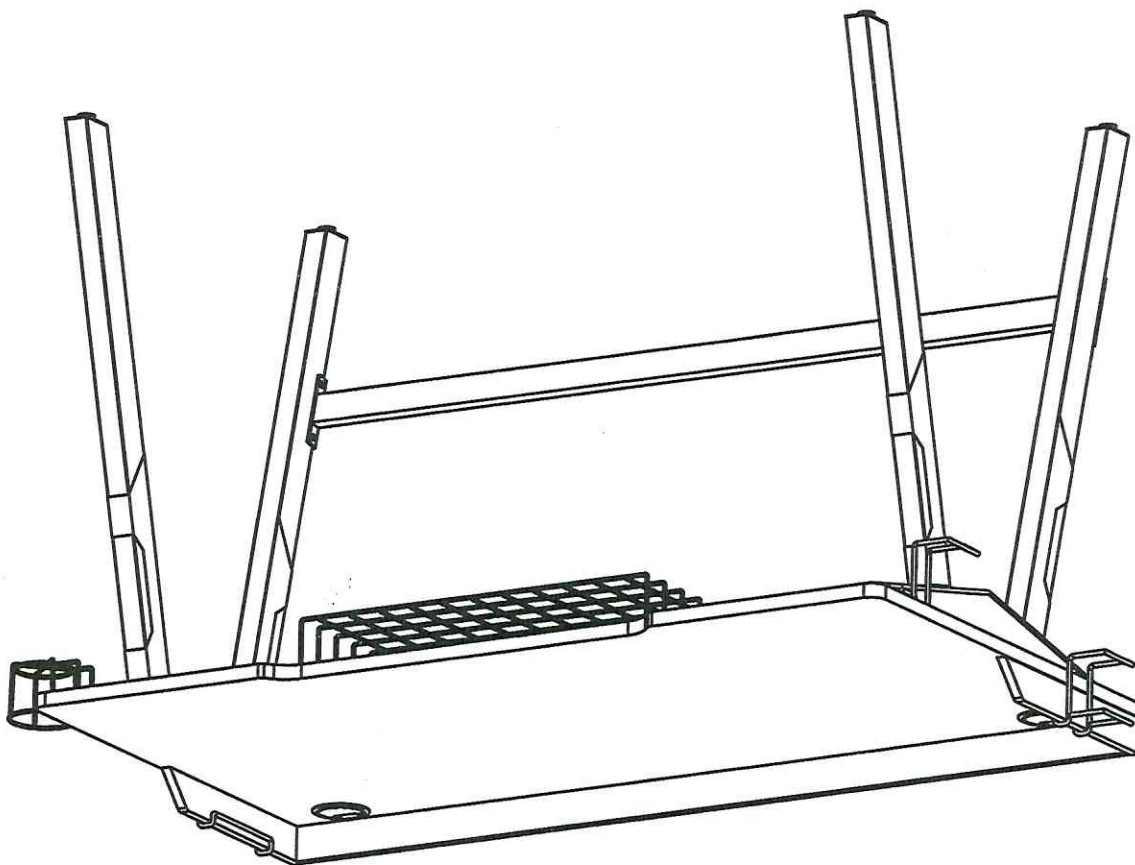
Customer services:

01942 524 100

cseurope@dorel.com

Dorel Home Furnishings Ltd.

Building 4, Imperial Place, Maxwell Road,
Borehamwood WD6 1JN United Kingdom.



REFERENCE NO:

PO100712

Please retain this booklet as you will be asked
to quote this number for any warranty or
product related queries

AW9230

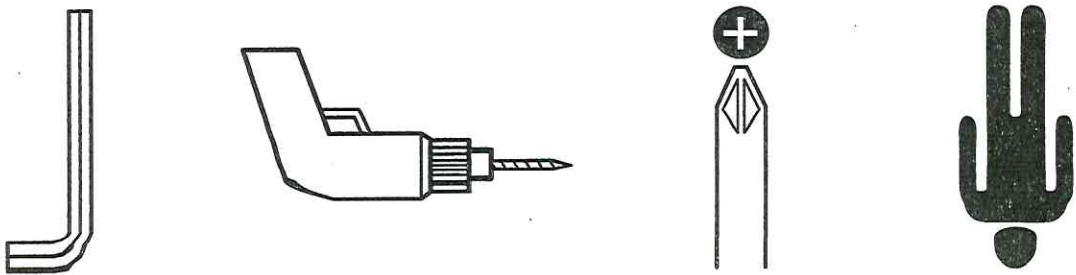
AW9230

Thank you for purchasing this desk. Please read the instructions carefully before use to ensure safe and satisfactory operation of this product.

Pre-assembly preparation

Please ensure instructions are read in full before attempting to assemble this product

Necessary Tools



Note: Some of the tools shown here are optional and are required only for quick assembly of this product

Please check the pack contents before attempting to assemble this product. A full checklist of components is given in this leaflet. If any components are missing, please contact the retailer from whom you bought this product.

This product is HEAVY, it should be assembled as near as possible to the point of use. TAKE CARE WHEN LIFTING to avoid personal injury and (or) damage to the product.

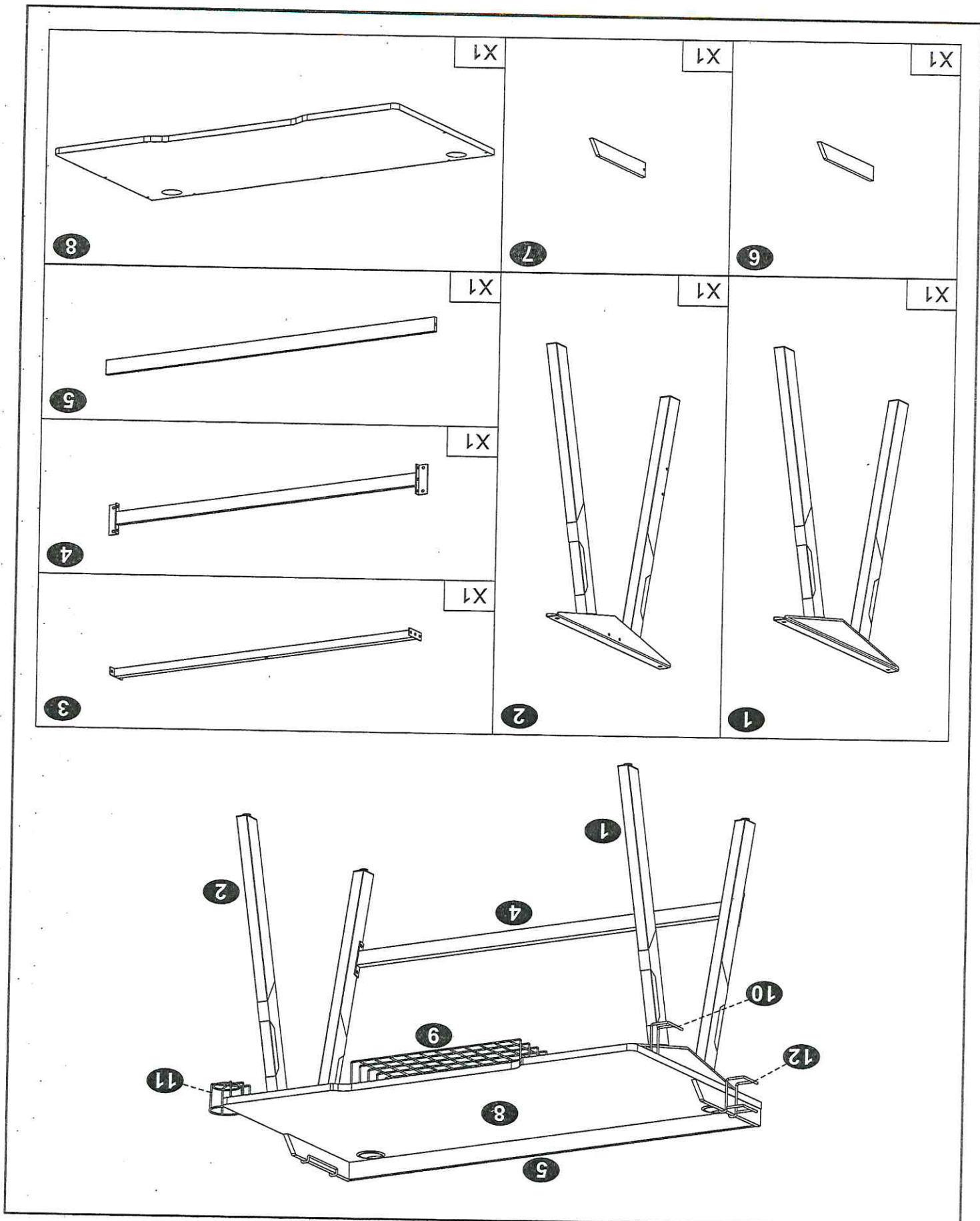
This product takes approximately 30 MINUTES to assemble with 2 PEOPLE.

The fittings pack contains SMALL ITEMS which should be KEPT AWAY FROM YOUNG CHILDREN.

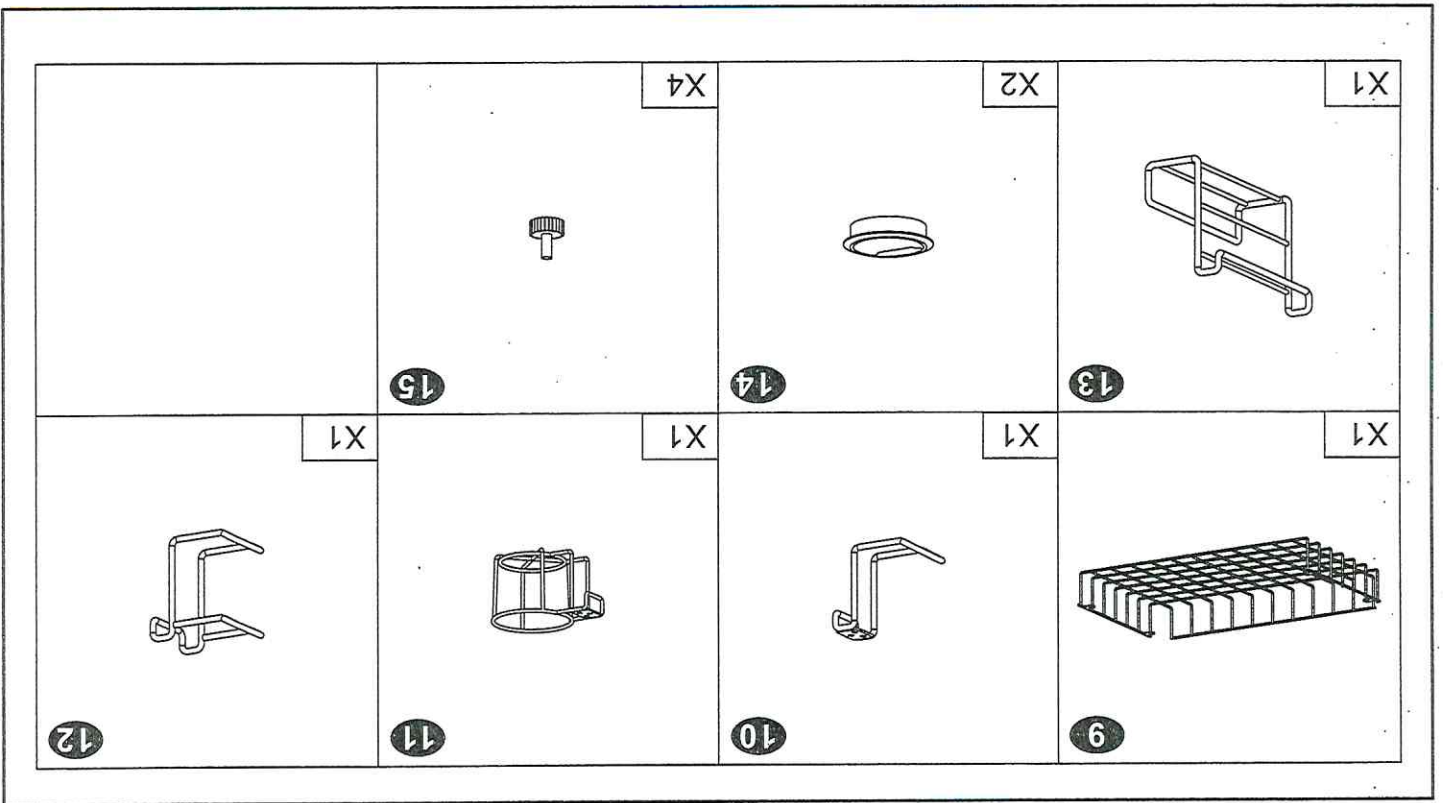
Read this leaflet in full before commencing assembly.

AW9230

■ PARTS LIST



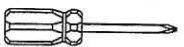
AW9230



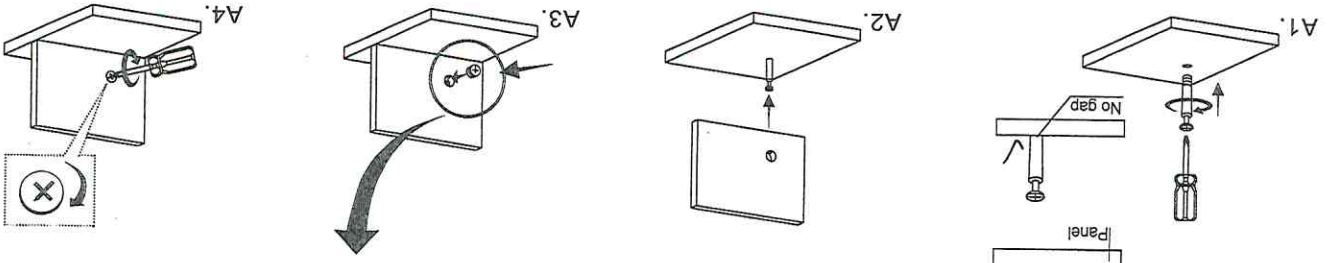
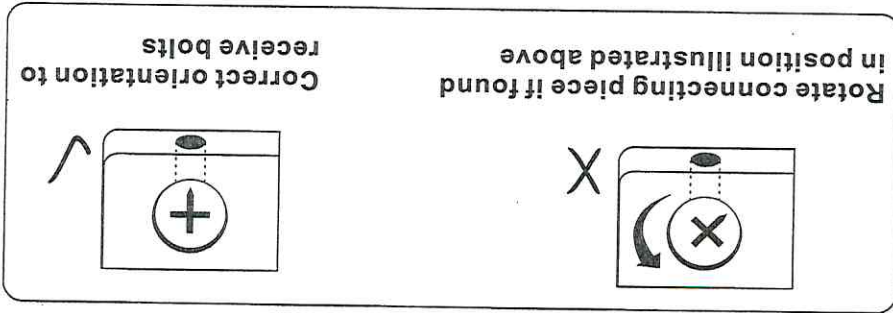
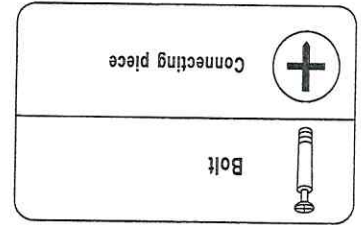
AW9230

-SCREWS LIST

PART	QTY.	ITEM
A	16	6X12 MM
B	1	6X35 MM
C	10	4X14 MM
D	7	5X40 MM

PART	QTY.	ITEM
E	2	6X25 MM
F	2	Φ 12 MM
	1	

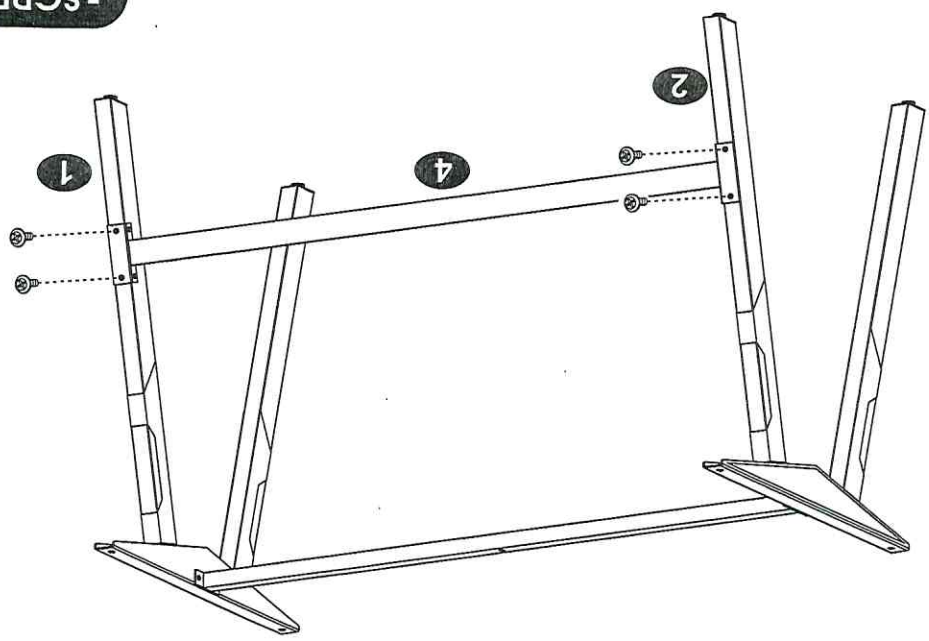
6X25MM BOLT INSTALLATION AS BELOW:



AW9230

P.7

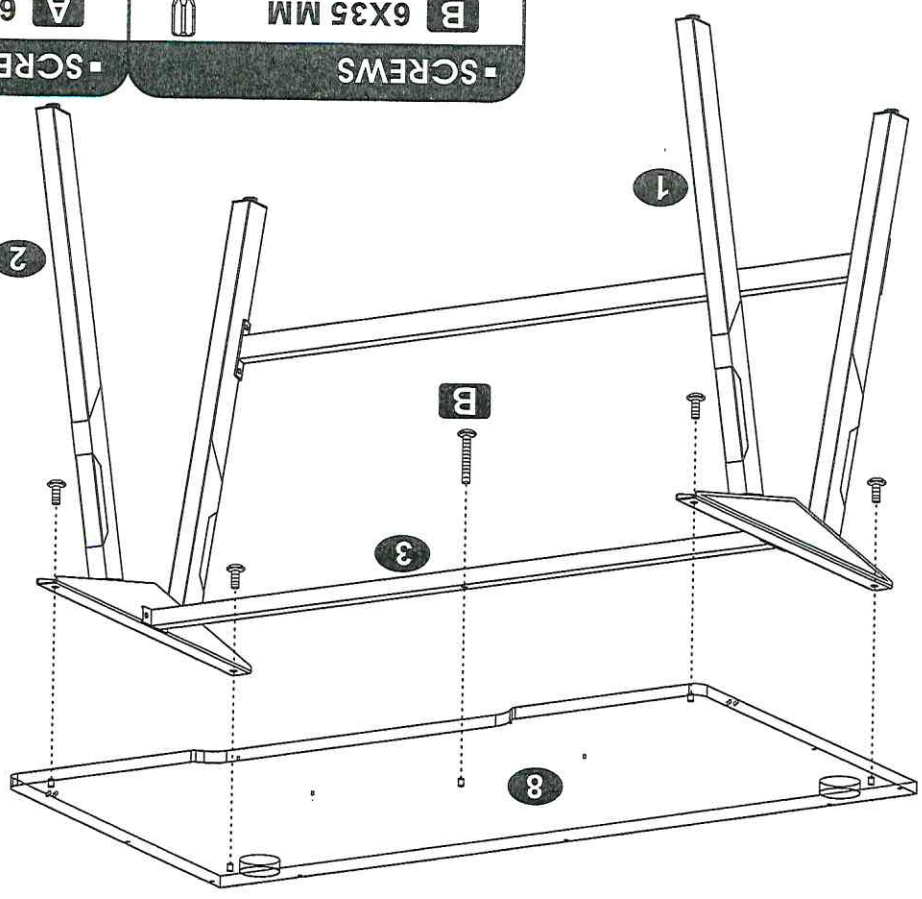
4




-SCREWS
A 6X12 MM x4



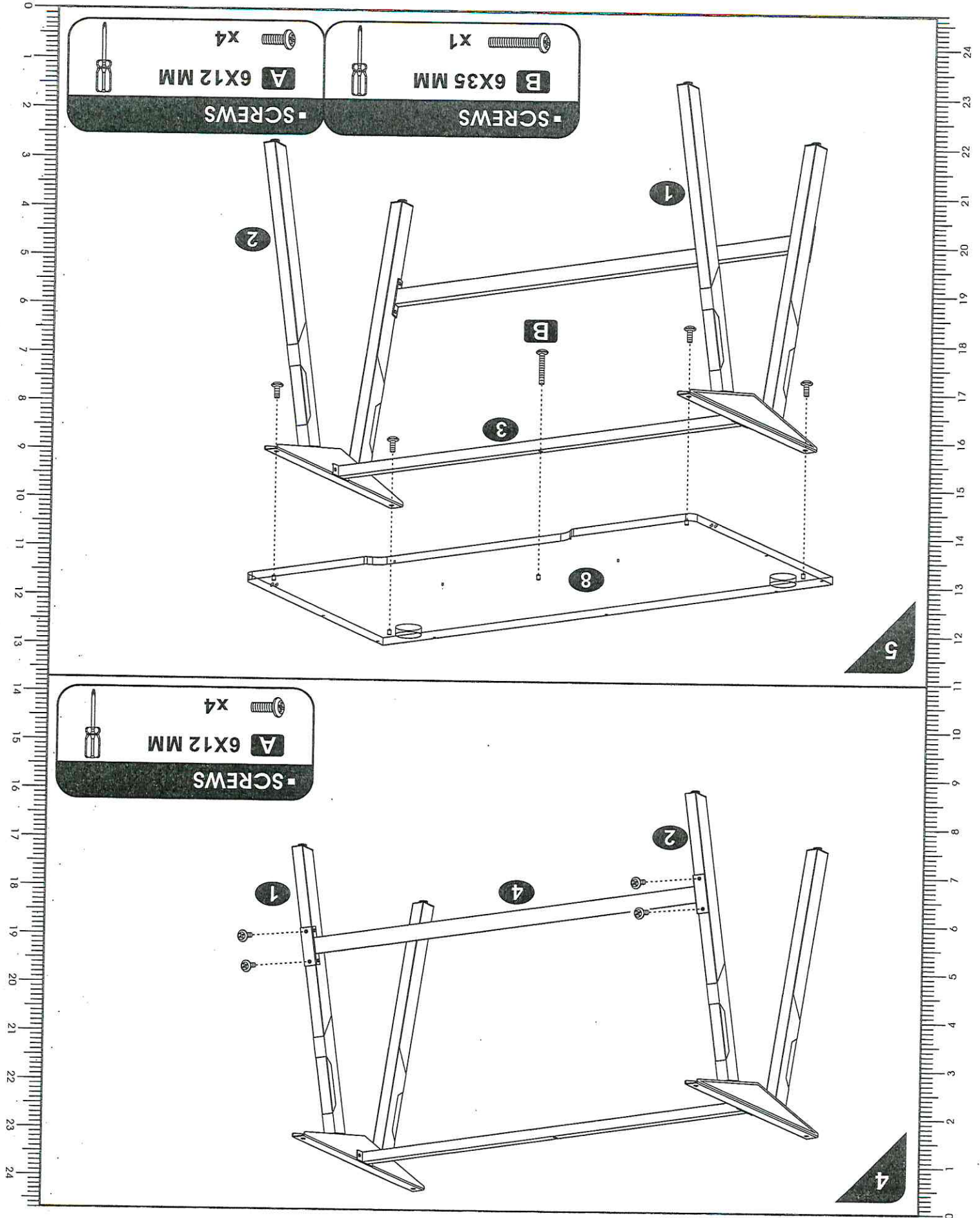

5



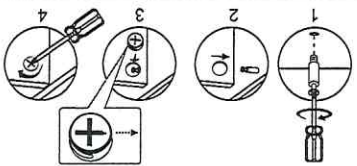
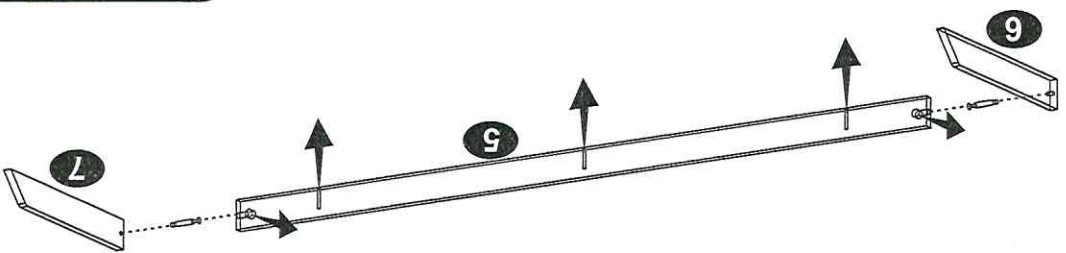
-SCREWS
B 6X35 MM x1



-SCREWS
A 6X12 MM x4



6

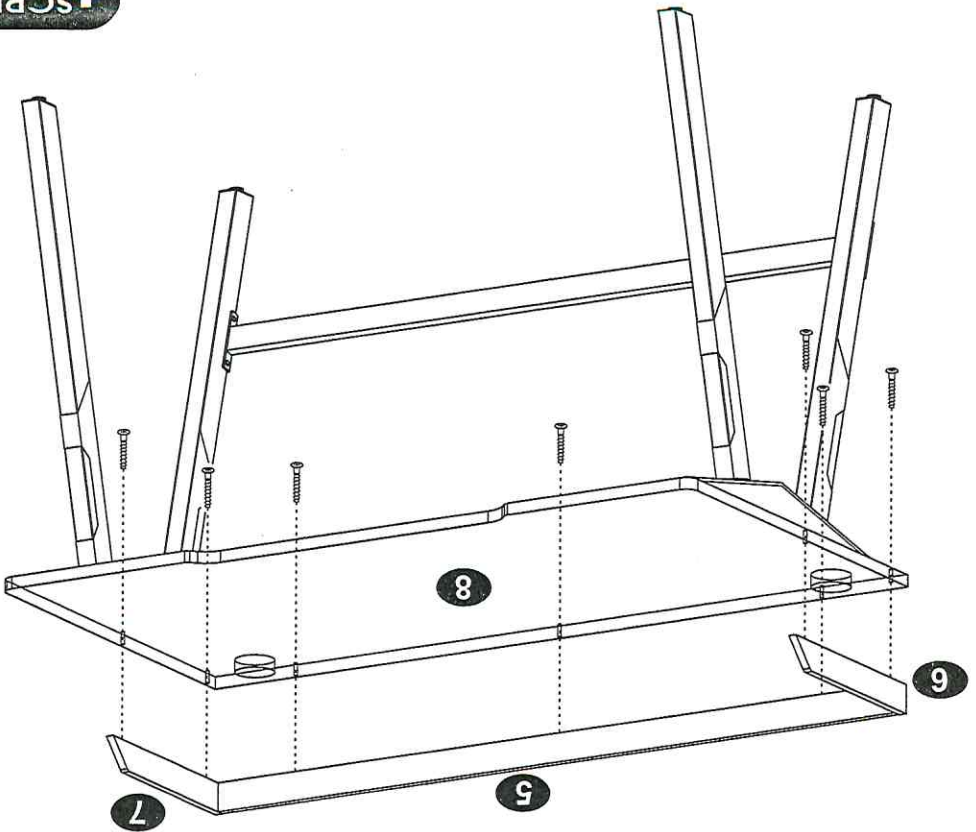


-SCREWS
E 6X25 MM X2

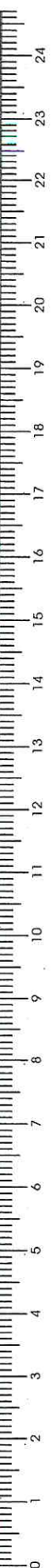
F Φ 12 MM X2

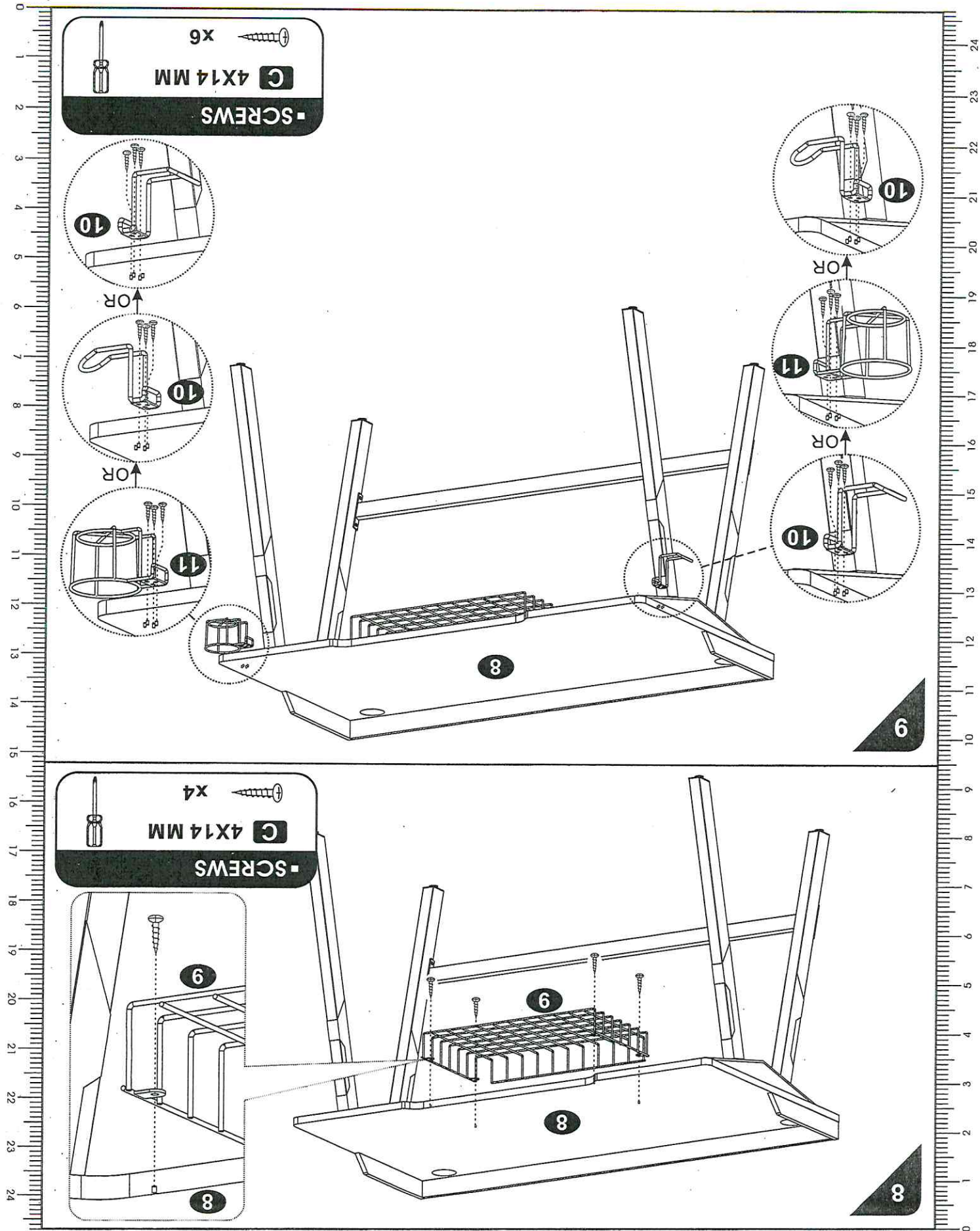


7



-SCREWS
D 5X40 MM X7





AW9230

P.10

