



# Test Report

No.: SHHL2310054337FT-1

Date: NOV. 02, 2023

Page: 1 of 9

DOREL HOME FURNISHINGS EUROPE LTD

ALPHASON HOUSE 244 SWAN LANE, HINDLEY GREEN WIGAN WN2 4EY GREAT BRITAIN

THE TEST REPORT IS TO SUPERSEDE THE TEST REPORT NO.: SHHL2310054337FT, DATE: OCT. 31, 2023, ORIGINAL REPORT SHALL BE INVALID.

The following sample(s) was/were submitted and identified by the client as:

Sample Description : NG TALLULAH MEMORY FOAM FUTON BLUE VELVET/  
2144679NUK

SGS Ref. No. : /

Style/ Item No. : 2144679NUK

Buyer : DOREL HOME EUROPE AMAZON

P.O. No. : /

Manufacturer : HONLAND FACTORY

Supplier : HONLAND

Country of Origin : CHINA

Country of Destination : UK/EU

Sample Receiving Date : OCT. 20, 2023

Testing Period : OCT. 20, 2023 TO OCT. 31, 2023

Test Performed : SELECTED TEST(S) AS REQUESTED BY APPLICANT

Test Requested : 1. EN 12520: 2015 FURNITURE-STRENGTH,  
DURABILITY AND SAFETY-REQUIREMENTS FOR  
DOMESTIC SEATING  
2. EN 13759: 2012 FURNITURE - OPERATING  
MECHANISMS FOR SEATING AND SOFA-BEDS -  
TEST METHODS

Test Result(s) : FOR FURTHER DETAILS, PLEASE REFER TO THE  
FOLLOWING PAGE(S)

Conclusion : THE SUBMITTED SAMPLE MET THE TEST  
REQUIREMENT.

\*\*\*\*\*



Unless otherwise agreed in writing, this document is issued by the Company subject to its General Conditions of Service printed overleaf, available on request or accessible at <http://www.sgs.com/en/Terms-and-Conditions.aspx> and, for electronic format documents, subject to Terms and Conditions for Electronic Documents at <http://www.sgs.com/en/Terms-and-Conditions/Terms-e-Documents.aspx>. Attention is drawn to the limitation of liability, indemnification and jurisdiction issues defined therein. Any holder of this document is advised that information contained hereon reflects the Company's findings at the time of its intervention only and within the limits of Client's instructions, if any. The Company's sole responsibility is to its Client and this document does not exonerate parties to a transaction from exercising all their rights and obligations under the transaction documents. This document cannot be reproduced except in full, without prior written approval of the Company. Any unauthorized alteration, forgery or falsification of the content or appearance of this document is unlawful and offenders may be prosecuted to the fullest extent of the law. Unless otherwise stated the results shown in this test report refer only to the sample(s) tested and such sample(s) are retained for 30 days only.

Attention: To check the authenticity of testing / inspection report & certificate, please contact us at telephone: (86-755) 8307 1443, or email: [CN\\_Doccheck@sgs.com](mailto:CN_Doccheck@sgs.com)

SGS-CSTC (Shanghai) Technical Services Co., Ltd. 4<sup>th</sup> Building, No.889, Yeshan Road, Xuhui District Shanghai, China 200233 t (86) 400 960 9661 f (86-21) 6115 6899 www.sgs.com.cn  
中国·上海·徐汇区宜山路889号4号楼 邮编: 200233 t (86) 400 960 9661 f (86-21) 6115 6899 e [sgs.china@sgs.com](mailto:sgs.china@sgs.com)

## Test Report

No.: SHHL2310054337FT-1

Date: NOV. 02, 2023

Page: 2 of 9

Signed for and on behalf of  
SGS-CSTC Standards Technical Services (Shanghai) Co., Ltd.



Scan to see the report



SHHL2310054337FT-1  
Verification:  
check.sgsonline.com.cn

Jack Zheng  
Authorized Signatory



Unless otherwise agreed in writing, this document is issued by the Company subject to its General Conditions of Service printed overleaf, available on request or accessible at <http://www.sgs.com/en/Terms-and-Conditions.aspx> and, for electronic format documents, subject to Terms and Conditions for Electronic Documents at <http://www.sgs.com/en/Terms-and-Conditions/Terms-e-Documents.aspx>. Attention is drawn to the limitation of liability, indemnification and jurisdiction issues defined therein. Any holder of this document is advised that information contained hereon reflects the Company's findings at the time of its intervention only and within the limits of Client's instructions, if any. The Company's sole responsibility is to its Client and this document does not exonerate parties to a transaction from exercising all their rights and obligations under the transaction documents. This document cannot be reproduced except in full, without prior written approval of the Company. Any unauthorized alteration, forgery or falsification of the content or appearance of this document is unlawful and offenders may be prosecuted to the fullest extent of the law. Unless otherwise stated the results shown in this test report refer only to the sample(s) tested and such sample(s) are retained for 30 days only.  
Attention: To check the authenticity of testing / inspection report & certificate, please contact us at telephone: (86-755) 8307 1443, or email: [CN\\_Doccheck@sgs.com](mailto:CN_Doccheck@sgs.com)

SGS-CSTC Standards Technical Services (Shanghai) Co., Ltd.  
Testing Center Hangzhou

4<sup>th</sup> Building, No.889, Yeshen Road, Xuhui District Shanghai, China 200233 t (86) 400 960 9661 f (86-21) 6115 6899 www.sgs.com.cn  
中国·上海·徐汇区宜山路889号4号楼 邮编: 200233 t (86) 400 960 9661 f (86-21) 6115 6899 e sgs.china@sgs.com

# Test Report

No.: SHHL2310054337FT-1

Date: NOV. 02, 2023

Page: 3 of 9

## Test Conducted:

EN 12520:2015 Furniture – strength, durability and safety – requirements for domestic seating

Test condition : All the physical tests were carried out on 20°C±5°C condition.

Pretreatment : The sample for test shall be stored in indoor ambient conditions for at least 24 h immediately prior to testing.

Nos. of Specimen : 1 pc.

Test Result : PASS. Details shown as following table

Clause	Test Items	Result	Note
5.1	General requirements	Pass	---
5.2	Shear and squeeze points	---	---
5.2.1	Shear and squeeze points when setting up and folding	Pass	---
5.2.2	Shear and squeeze points under influence of powered mechanisms	N/A	# 1
5.2.3	Shear and squeeze points during use	Pass	---
5.3	Stability (Test according to EN 1022: 2018)	Pass	# 2
5.4	Strength and durability (Test according to EN 1728:2012)	Pass	# 3
6	Information for use	Pass	# 4

Table 1 EN 1022:2018 Furniture – seating – determination of stability

Clause	Test Items	Result	Note
7	Test Procedure for assessing stability of all seating except loungers		
7.3.1	Forwards overbalancing	Pass	---
7.3.2	Forwards overturning for seating with foot rest	N/A	# 1
7.3.3	Corner stability test	N/A	# 1
7.3.4	Sideways overbalancing, all seating without arms	N/A	# 1
7.3.5	Sideways overbalancing, all other seating		
7.3.5.2	Seating with arm rests	Pass	---
7.3.5.3	Seating with raised side edges	N/A	# 1
7.3.6	Rearwards overbalancing, all seating with backs	Pass	---
7.4	Additional test procedures for seating with reclining back rests		
7.4.2	Tilting seating	N/A	# 1
7.4.3	Reclining seating with leg rest	N/A	# 1
7.4.4	Reclining seating without leg rest	Pass	---



Unless otherwise agreed in writing, this document is issued by the Company subject to its General Conditions of Service printed overleaf, available on request or accessible at <http://www.sgs.com/en/Terms-and-Conditions.aspx> and, for electronic format documents, subject to Terms and Conditions for Electronic Documents at <http://www.sgs.com/en/Terms-and-Conditions/Terms-e-Document.aspx>. Attention is drawn to the limitation of liability, indemnification and jurisdiction issues defined therein. Any holder of this document is advised that information contained hereon reflects the Company's findings at the time of its intervention only and within the limits of Client's instructions, if any. The Company's sole responsibility is to its Client and this document does not exonerate parties to a transaction from exercising all their rights and obligations under the transaction documents. This document cannot be reproduced except in full, without prior written approval of the Company. Any unauthorized alteration, forgery or falsification of the content or appearance of this document is unlawful and offenders may be prosecuted to the fullest extent of the law. Unless otherwise stated the results shown in this test report refer only to the sample(s) tested and such sample(s) are retained for 30 days only.

Attention: To check the authenticity of testing / inspection report & certificate, please contact us at telephone: (86-755) 8307 1443, or email: CN\_Doccheck@sgs.com

4<sup>th</sup> Building, No.889, Yeshan Road, Xuhui District Shanghai, China 200233 t (86) 400 960 9661 f (86-21) 6115 6899 www.sgs.com.cn  
 中国·上海·徐汇区宜山路889号4号楼 邮编: 200233 t (86) 400 960 9661 f (86-21) 6115 6899 e sgs.china@sgs.com

# Test Report

No.: SHHL2310054337FT-1

Date: NOV. 02, 2023

Page: 4 of 9

7.4.5 Rearwards stability test for rocking chairs N/A # 1

Table 2 Seating tested for strength and durability according to and in the order given in below table and in accordance with the test conditions contained in EN1728:2012.

Clause	Test Items	Result	Note
6.4	Seat static load and back static load test	Pass	---
6.5	Seat front edge static load	Pass	---
6.8	Foot rest static load test	N/A	# 1
6.10	Arm rest sideways static load test	Pass	---
6.11	Arm rest downwards static load test	Pass	---
6.17	Combined seat and back durability test	Pass	---
6.18	Seat front edge durability test	Pass	---
6.20	Arm rest durability test	Pass	---
6.15	Leg forward static load test	Pass	---
6.16	Leg sideways static load test	Pass	---
6.24	Seat impact test	Pass	---
6.28	Backwards fall test	N/A	# 1
6.25	Back impact test	Pass	---

- Notes :
- # 1- N/A means not applicable to this product design.
  - # 2- Test according to EN 1022:2018 Furniture – seating – determination of stability. Test results see table 1.
  - # 3- Test according to EN 1728:2012 Furniture-Seating-Test methods for determination of strength and durability. Test results see table 2.
  - # 4- Only English version was checked.



Unless otherwise agreed in writing, this document is issued by the Company subject to its General Conditions of Service printed overleaf, available on request or accessible at <http://www.sgs.com/en/Terms-and-Conditions.aspx> and, for electronic format documents, subject to Terms and Conditions for Electronic Documents at <http://www.sgs.com/en/Terms-and-Conditions/Terms-e-Documents.aspx>. Attention is drawn to the limitation of liability, indemnification and jurisdiction issues defined therein. Any holder of this document is advised that information contained hereon reflects the Company's findings at the time of its intervention only and within the limits of Client's instructions, if any. The Company's sole responsibility is to its Client and this document does not exonerate parties to a transaction from exercising all their rights and obligations under the transaction documents. This document cannot be reproduced except in full, without prior written approval of the Company. Any unauthorized alteration, forgery or falsification of the content or appearance of this document is unlawful and offenders may be prosecuted to the fullest extent of the law. Unless otherwise stated the results shown in this test report refer only to the sample(s) tested and such sample(s) are retained for 30 days only.

Attention: To check the authenticity of testing / inspection report & certificate, please contact us at telephone: (86-755) 8307 1443, or email: [CN\\_Doccheck@sgs.com](mailto:CN_Doccheck@sgs.com)

SGS-CSTC (Shanghai) Technical Services (Shanghai) Co., Ltd. 4<sup>th</sup> Building, No.889, Yeshen Road, Xuhui District Shanghai, China 200233 t (86) 400 960 9661 f (86-21) 6115 6899 www.sgs.com.cn  
 中国·上海·徐汇区宜山路889号4号楼 邮编: 200233 t (86) 400 960 9661 f (86-21) 6115 6899 e sgs.china@sgs.com

# Test Report

No.: SHHL2310054337FT-1

Date: NOV. 02, 2023

Page: 5 of 9

EN 13759: 2012 Furniture - Operating Mechanisms For Seating And Sofa-Beds - Test Methods

Test condition : All the physical tests were carried out on 20°C± 5°C condition.

Nos. of Specimen : 1 pc.

Total Mass Of The Test Dummy : /

Defects Observed Before Testing : No defect.

Test Result : PASS. Details shown as following table

Clause	Test Items	Result	Note
5.2	Durability test	---	---
5.2.2	Furniture not occupied during operation of mechanism	Pass	# 1
5.2.3	Furniture occupied during operation of the mechanism	N/A	# 2

- Notes :
- # 1- The number of test cycle is 3600cycles.
  - # 2- N/A means not applicable to this product design.

The test report updated the information of cover page.



Unless otherwise agreed in writing, this document is issued by the Company subject to its General Conditions of Service printed overleaf, available on request or accessible at <http://www.sgs.com/en/Terms-and-Conditions.aspx> and, for electronic format documents, subject to Terms and Conditions for Electronic Documents at <http://www.sgs.com/en/Terms-and-Conditions/Terms-e-Documents.aspx>. Attention is drawn to the limitation of liability, indemnification and jurisdiction issues defined therein. Any holder of this document is advised that information contained hereon reflects the Company's findings at the time of its intervention only and within the limits of Client's instructions, if any. The Company's sole responsibility is to its Client and this document does not exonerate parties to a transaction from exercising all their rights and obligations under the transaction documents. This document cannot be reproduced except in full, without prior written approval of the Company. Any unauthorized alteration, forgery or falsification of the content or appearance of this document is unlawful and offenders may be prosecuted to the fullest extent of the law. Unless otherwise stated the results shown in this test report refer only to the sample(s) tested and such sample(s) are retained for 30 days only.

Attention: To check the authenticity of testing / inspection report & certificate, please contact us at telephone: (86-755) 8307 1443, or email: [CN\\_Doccheck@sgs.com](mailto:CN_Doccheck@sgs.com)

SGS-CSTC (Shanghai) Technical Services Co., Ltd. 4<sup>th</sup> Building, No.889, Yeshen Road, Xuhui District Shanghai, China 200233 t (86) 400 960 9661 f (86-21) 6115 6899 www.sgs.com.cn  
 中国·上海·徐汇区宜山路889号4号楼 邮编: 200233 t (86) 400 960 9661 f (86-21) 6115 6899 e sgs.china@sgs.com

## Test Report

No.: SHHL2310054337FT-1

Date: NOV. 02, 2023

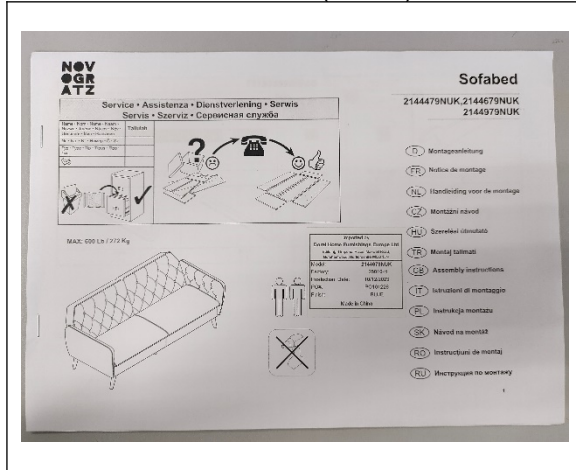
Page: 6 of 9

### Sample Photo:

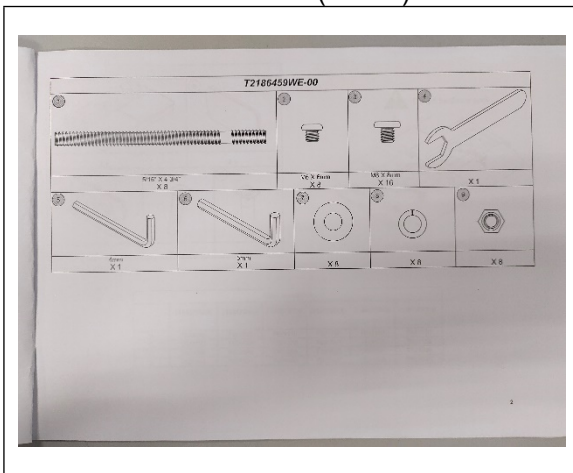
Received sample



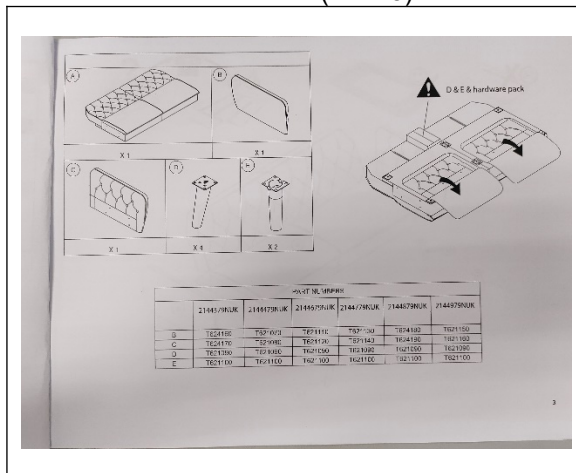
Instructions (view 1)



Instructions (view 2)



Instructions (view 3)

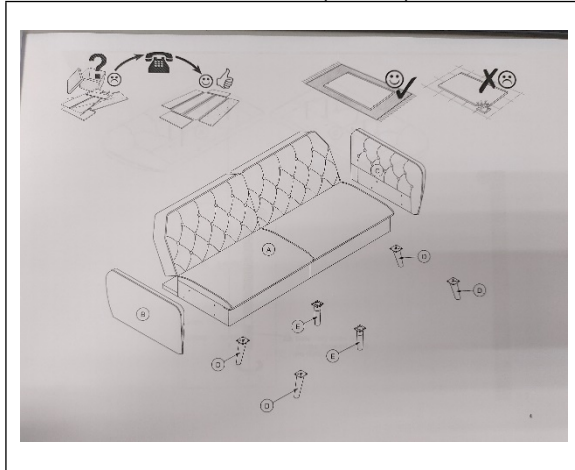


Unless otherwise agreed in writing, this document is issued by the Company subject to its General Conditions of Service printed overleaf, available on request or accessible at <http://www.sgs.com/en/Terms-and-Conditions.aspx> and, for electronic format documents, subject to Terms and Conditions for Electronic Documents at <http://www.sgs.com/en/Terms-and-Conditions/Terms-e-Documents.aspx>. Attention is drawn to the limitation of liability, indemnification and jurisdiction issues defined therein. Any holder of this document is advised that information contained hereon reflects the Company's findings at the time of its intervention only and within the limits of Client's instructions, if any. The Company's sole responsibility is to its Client and this document does not exonerate parties to a transaction from exercising all their rights and obligations under the transaction documents. This document cannot be reproduced except in full, without prior written approval of the Company. Any unauthorized alteration, forgery or falsification of the content or appearance of this document is unlawful and offenders may be prosecuted to the fullest extent of the law. Unless otherwise stated the results shown in this test report refer only to the sample(s) tested and such sample(s) are retained for 30 days only.

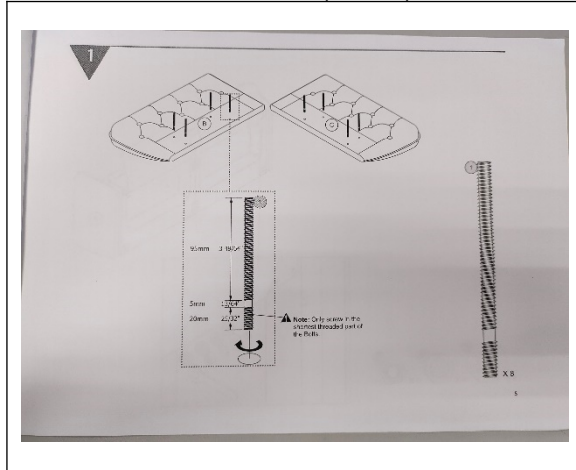
Attention: To check the authenticity of testing/inspection report & certificate, please contact us at telephone: (86-755) 8307 1443, or email: [CN.Doccheck@sgs.com](mailto:CN.Doccheck@sgs.com)

4<sup>th</sup> Building, No.889, Yeshan Road, Xuhui District Shanghai, China 200233 t (86) 400 960 9661 f (86-21) 6115 6899 www.sgs.com.cn  
 中国·上海·徐汇区宜山路889号4号楼 邮编: 200233 t (86) 400 960 9661 f (86-21) 6115 6899 e sgs.china@sgs.com

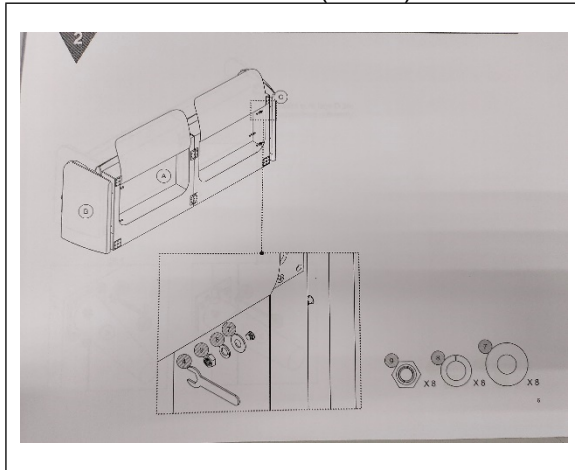
Instructions (view 4)



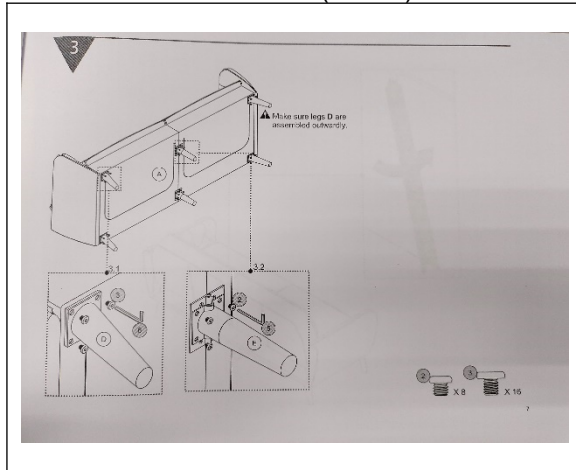
Instructions (view 5)



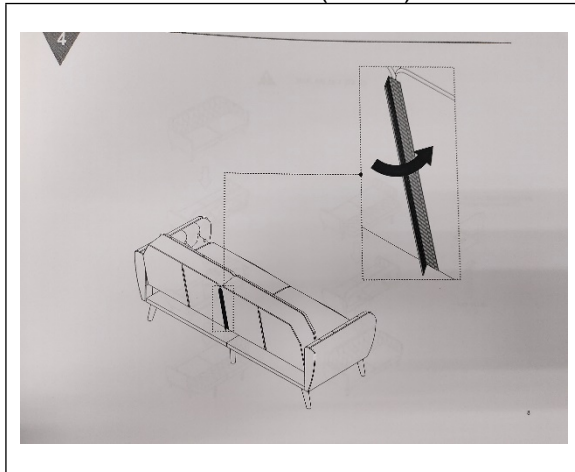
Instructions (view 6)



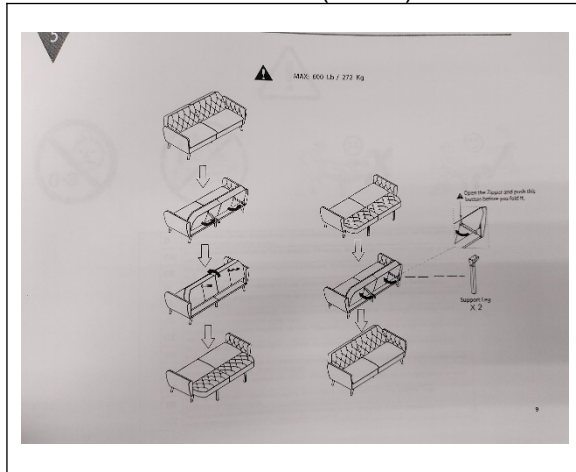
Instructions (view 7)



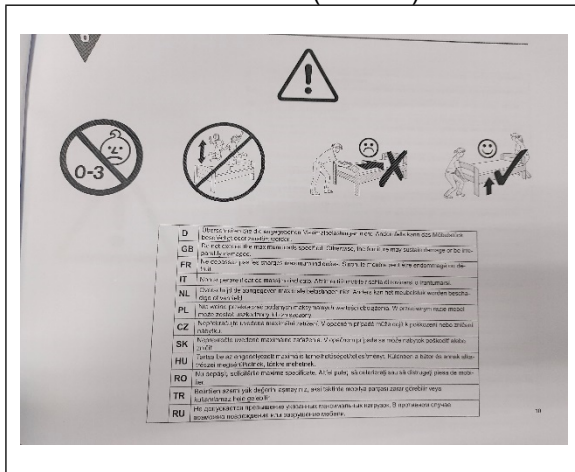
Instructions (view 8)



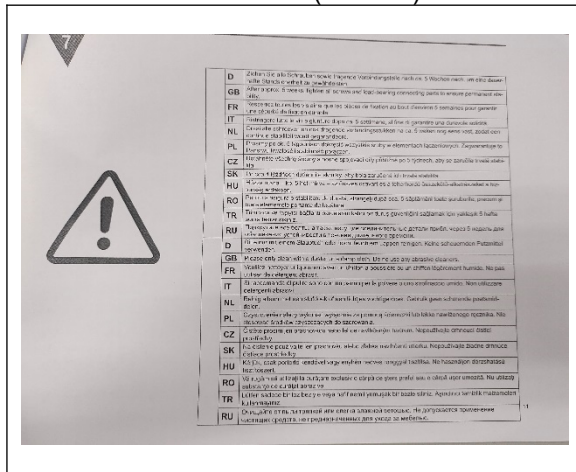
Instructions (view 9)



Instructions (view 10)



Instructions (view 11)



Unless otherwise agreed in writing, this document is issued by the Company subject to its General Conditions of Service printed overleaf, available on request or accessible at <http://www.sgs.com/en/Terms-and-Conditions.aspx> and, for electronic format documents, subject to Terms and Conditions for Electronic Documents at <http://www.sgs.com/en/Terms-and-Conditions/Terms-e-Documents.aspx>. Attention is drawn to the limitation of liability, indemnification and jurisdiction issues defined therein. Any holder of this document is advised that information contained hereon reflects the Company's findings at the time of its intervention only and within the limits of Client's instructions, if any. The Company's sole responsibility is to its Client and this document does not exonerate parties to a transaction from exercising all their rights and obligations under the transaction documents. This document cannot be reproduced except in full, without prior written approval of the Company. Any unauthorized alteration, forgery or falsification of the content or appearance of this document is unlawful and offenders may be prosecuted to the fullest extent of the law. Unless otherwise stated the results shown in this test report refer only to the sample(s) tested and such sample(s) are retained for 30 days only.

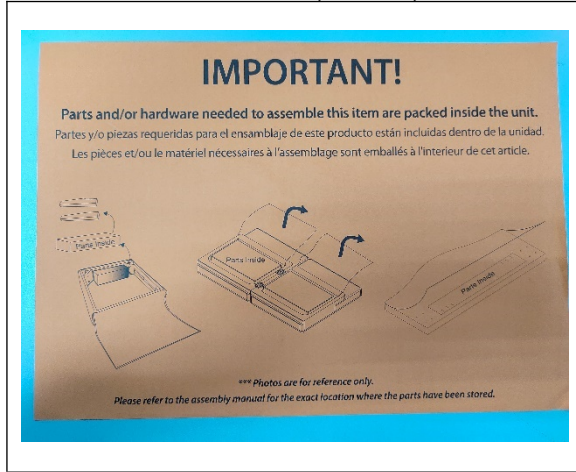
**Attention: To check the authenticity of testing/inspection report & certificate, please contact us at telephone: (86-755) 8307 1443, or email: CN.Doccheck@sgs.com**

SGS-CSTC (Shanghai) Technical Services (Shanghai) Co., Ltd. 4<sup>th</sup> Building, No.889, Yeshan Road, Xuhui District Shanghai, China 200233 t (86) 400 960 9661 f (86-21) 6115 6889 www.sgs.com.cn  
 中国·上海·徐汇区宜山路889号4号楼 邮编: 200233 t (86) 400 960 9661 f (86-21) 6115 6889 e.sgs.china@sgs.com

Instructions (view 12)



Instructions (view 13)



SGS authenticate the photo on original report only

\*\*\*End of Report\*\*\*

